

KNB CORPORATION

2014

**Stainless Steel
Casting Borehole
Pump - 60Hz**



KNB

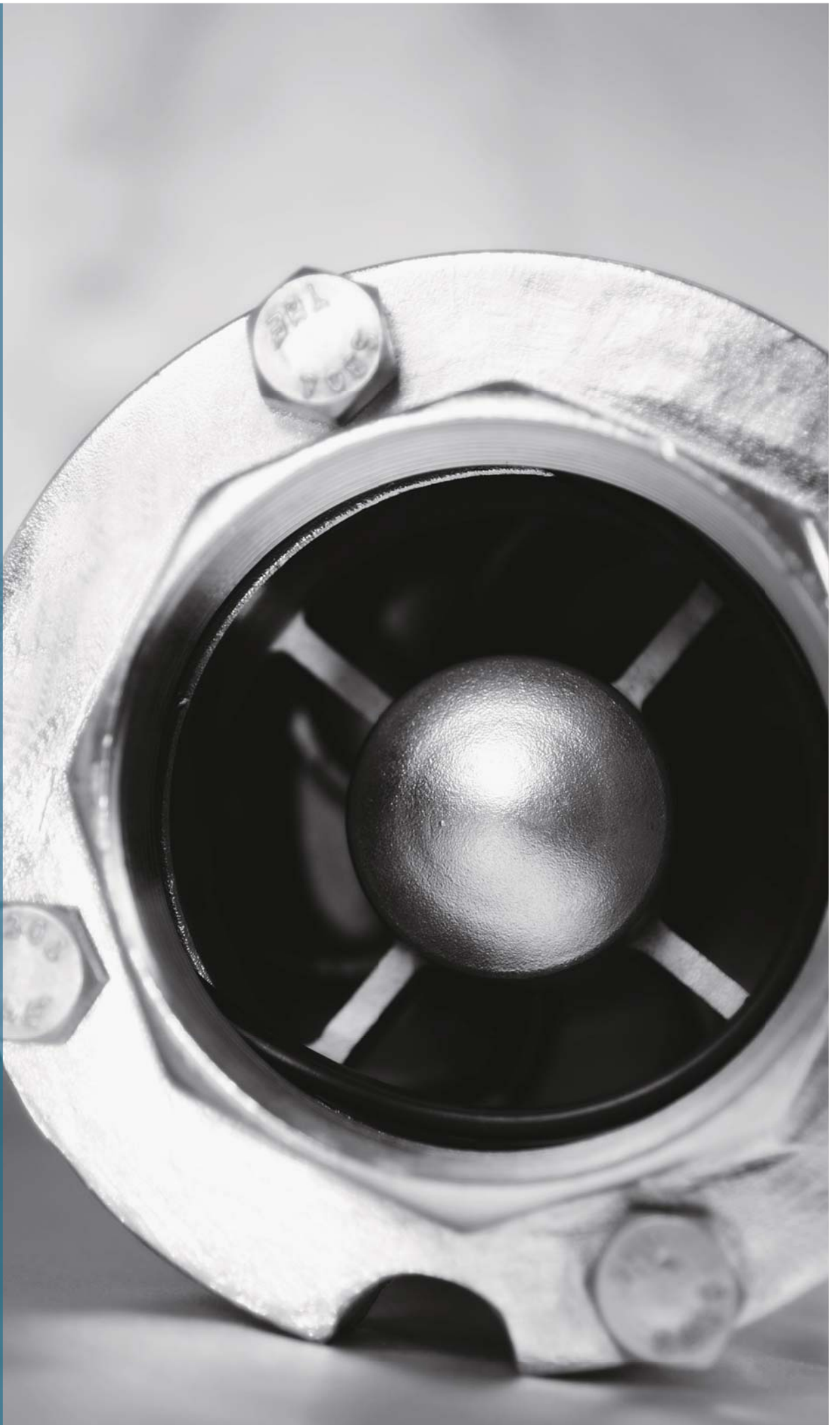
6", 8", 10", 12" and 14" stainless steel casting submersible borehole pumps are manufactured using high quality materials and designed to supply water at the required pressure with high efficiency and a long service life. The W series pumps are built to handle flows of up to 177m³/h. Or heads up to 425 m. These pumps are the most economical, energy-efficient pumps for 6" wells or larger. They provide the optimum amount of water and pressure for farm, civil and industrial use.

Product Features

- 100% SUS 304 stainless steel inside out
- Resistant to sand
- Resistant to aggressive water
- Discharge casing with threaded connection. Flange optional
- Shaft made from SUS 410 stainless steel
- Suction strainer to prevent clogging

Product Range

1. 6" Stainless Steel Casting Submersible Borehole Pump
WK - 06/08/12/15/18 series
2. 8"-12" Stainless Steel Casting Submersible Borehole Pump
WJ - 08/12/15/18/20/21 series
3. 8"-14" Stainless Steel Casting Submersible Borehole Pump
WM - 08/10/14 series



WK-06/08/12/15/18 SERIES SPARE PARTS/APPLICATIONS



Technical Data

- 6" pump size
- Flow: Max. 39m³/h
- Head: Max. 520m
- Max. sand content: 50g/m³
- Liquid Temp.: 0°C to 35°C
- pH values: 6 to 8
- Installation depth: Max. 300m

Applications

- Groundwater intake/water supply
- Municipal and industrial waters supply
- Irrigation/raw water supply
- Dewatering (construction sites, mines)
- Thermal waters, pools, and springs
- Fish farming
- Fountains
- Offshore
- Pressure boosting



NBR Top Ring
Avoid shaft damage when motor starts



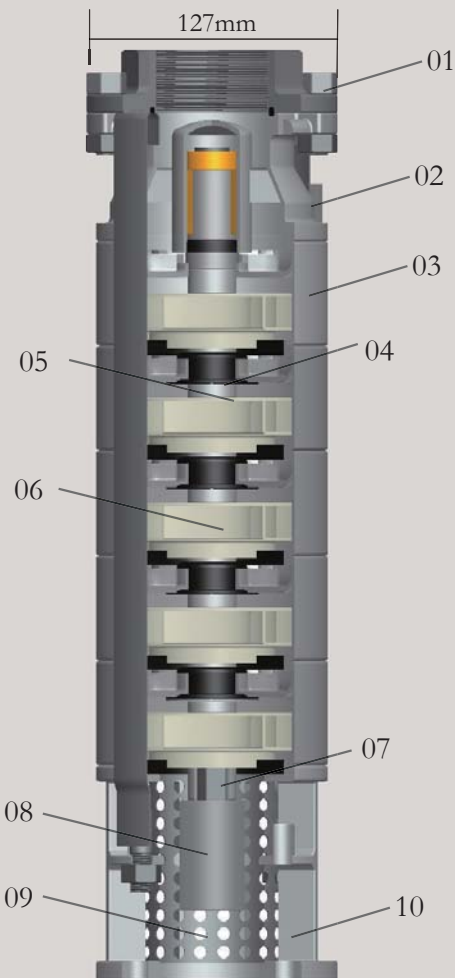
Integrated Welded Impeller
For better performance and fewer breakdowns



Suction Interconnector
The inlet strainer prevents particles over a certain size from entering the pump



NBR Connecting Plate
Abrasion resistant with NBR material and precise design



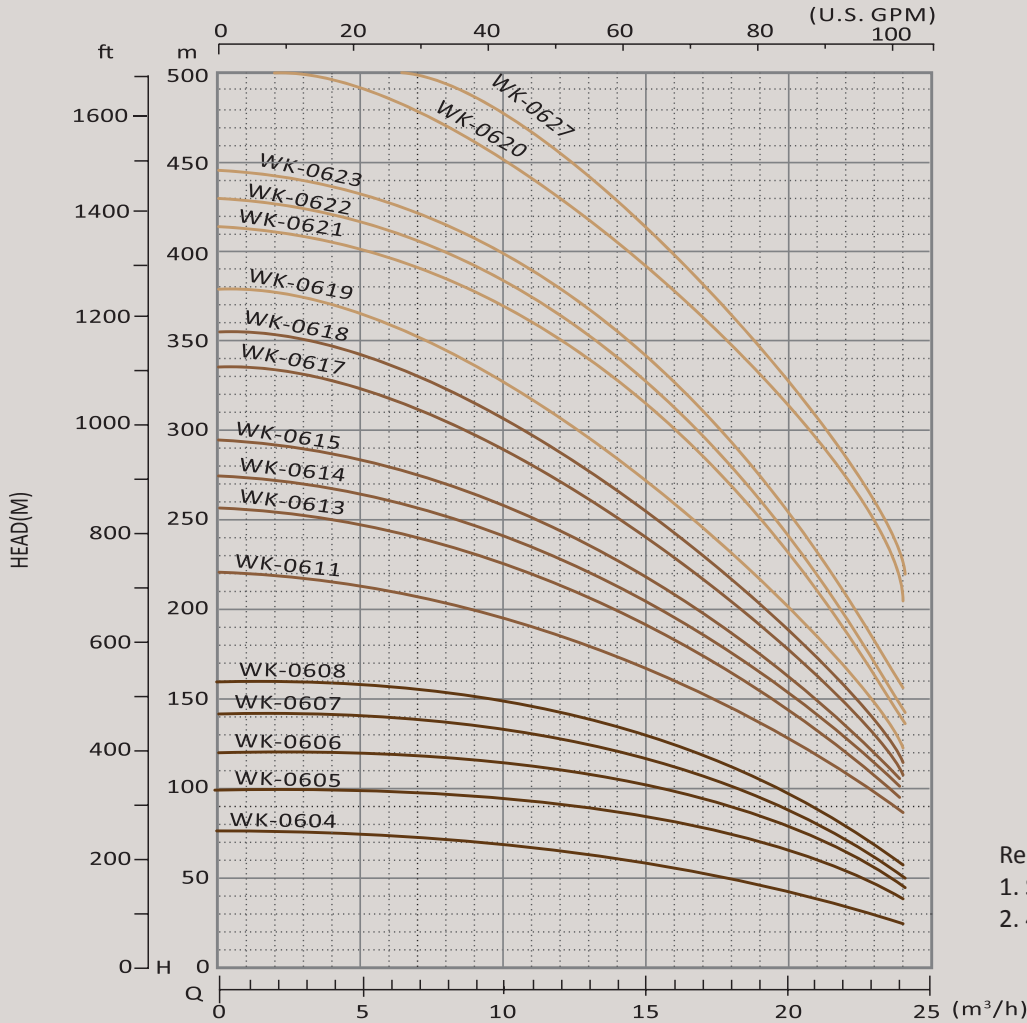
No.	Component	Material
1	Flange	SUS304
2	Dischage Bowl	SUS304
3	Intermediate Chamber	SUS304
4	Neck Ring	NBR
5	Shaft Sleeve	NBR
6	Impeller	SUS304
7	Shaft	SUS410
8	Coupling	SUS410
9	Strainer	SUS304
10	Suction Interconnector	SUS304

WK-06/08/12/15/18 SERIES
FEATURES & CONSTRUCTIONS

WK-06 series / 6 Inch / 60Hz

Specifications & Performance Curve

6

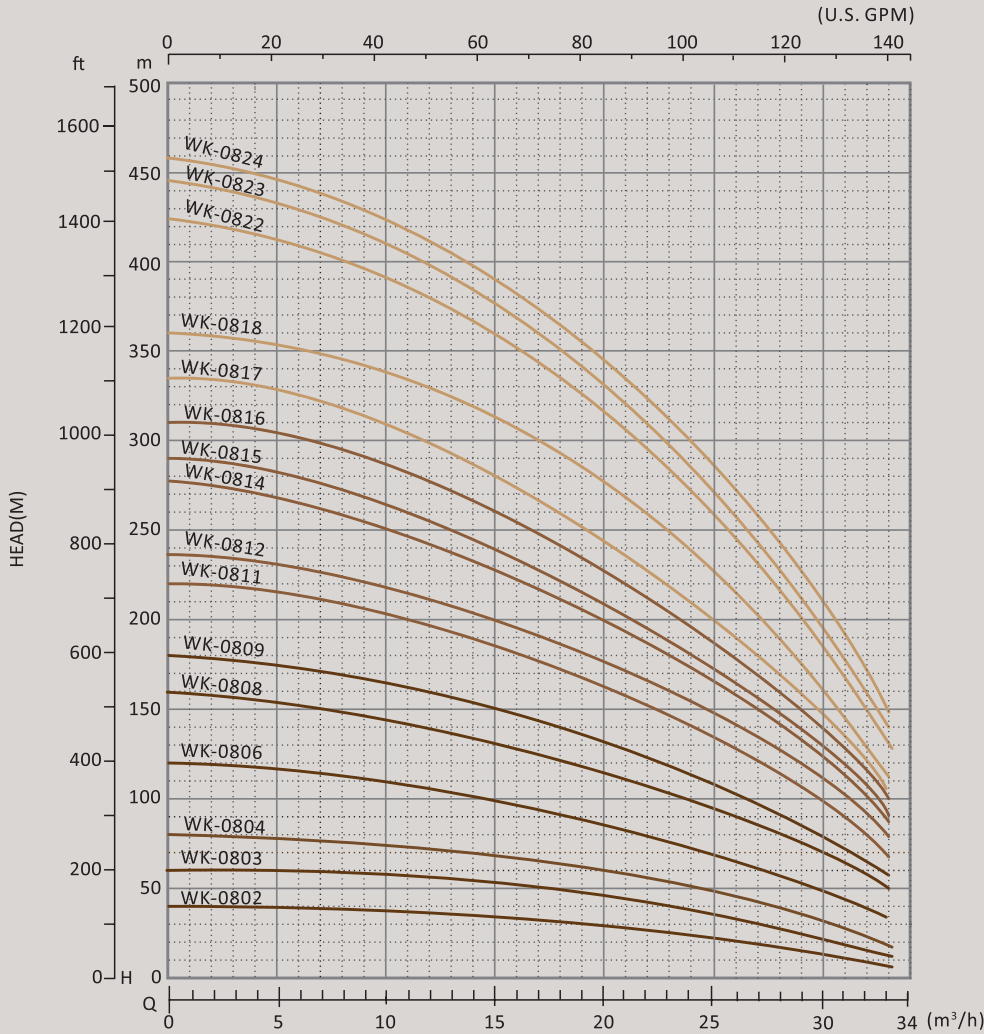


Remarks

1. Standard 6" suction interconnector
2. 4" suction interconnector is optional for WK-0604, 0605, 0606

MODEL	POWER			Stages	CAPACITY							Disch
	Motor Size	HP	kW		m³/hr	0	5	10	15	16	20	
WK-0604	4"	5	3.7	4	75	73	68	60	56	42	26	2" / 2-1/2" / 3"
WK-0605		7.5	5.5	5	97	95	88	75	71	56	36	
WK-0606		7.5	5.5	6	119	116	106	90	88	70	46	
WK-0605		7.5	5.5	5	97	95	88	75	71	56	36	
WK-0606		7.5	5.5	6	119	116	106	90	88	70	46	
WK-0607		10	7.5	7	137	135	126	107	102	80	50	
WK-0608	10	7.5	8	159	157	149	129	122	92	57		
WK-0611	6"	15	11	11	221	215	195	167	159	127	85	
WK-0613		20	15	13	259	247	220	183	175	139	96	
WK-0614		20	15	14	276	265	240	201	193	151	99	
WK-0615		20	15	15	292	285	260	220	211	163	107	
WK-0617		25	18.5	17	334	326	299	250	237	178	111	
WK-0618		25	18.5	18	352	343	316	265	251	190	113	
WK-0619		25	18.5	19	369	359	330	281	268	202	120	
WK-0621		30	22	21	414	399	360	300	285	220	128	
WK-0622		30	22	22	432	417	380	319	303	233	144	
WK-0623		30	22	23	447	432	400	340	326	250	155	
WK-0626	40	30	26	508	488	456	399	382	303	205		
WK-0627	40	30	27	528	510	479	417	400	320	215		

WK-08 series / 6 Inch / 60Hz



Remarks

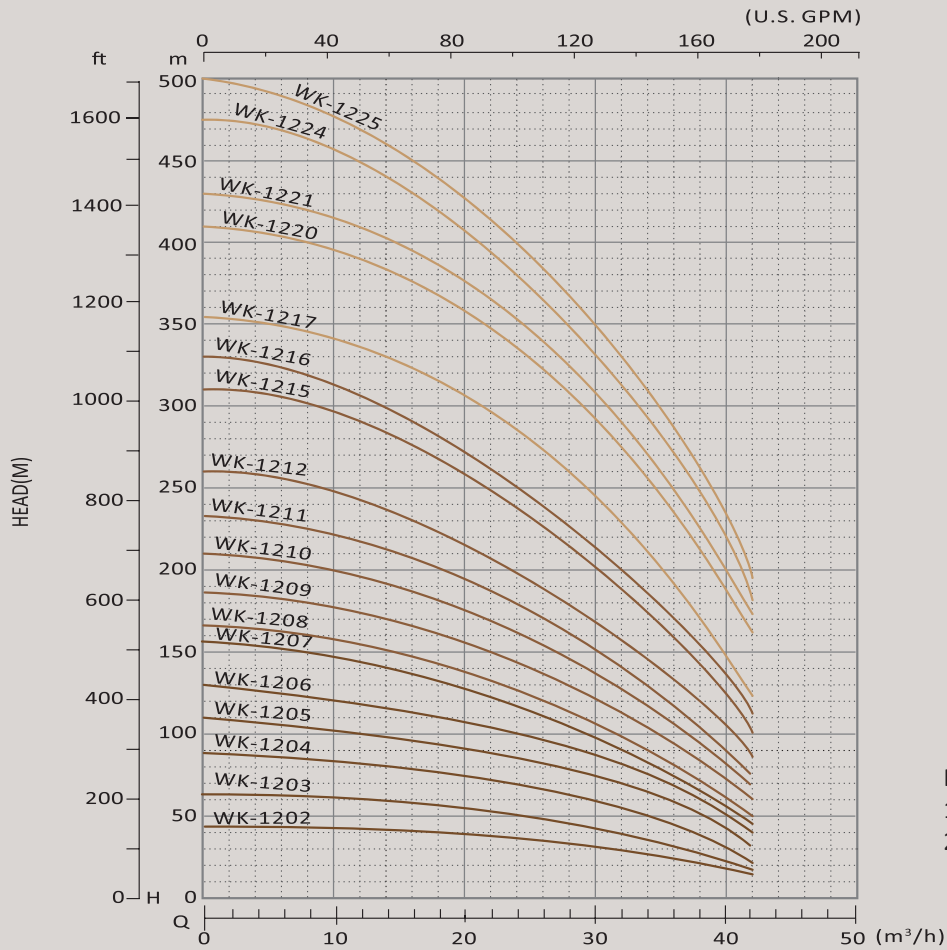
1. Standard 6" suction interconnector
2. 4" suction interconnector is optional for WK-0802, 0803, 0804

MODEL	POWER			Stages	CAPACITY										Disch
	Motor Size	HP	kW		m ³ /hr	0	5	10	15	20	22	25	30	33	
					GPM	0	22	44	66	88	97	110	132	145	
					LPM	0	83	167	250	333	367	417	500	550	
WK-0802	4"	3	2.2	2	HEAD (m)	48	36	32	29	22	22	17	10	7	
WK-0803		5	3.7	3		58	55	50	45	40	38	31	21	15	
WK-0804		7.5	5.5	4		80	77	72	65	55	53	42	30	20	
WK-0804		7.5	5.5	4		80	77	72	65	55	53	42	30	20	
WK-0806	10	7.5	6	120		118	112	101	87	82	68	47	32		
WK-0808	15	11	8	159		155	145	132	115	108	93	70	51		
WK-0809	15	11	9	180		176	166	150	131	124	108	80	58		
WK-0811	20	15	11	217		213	202	187	161	153	132	93	68	2"/	
WK-0812	20	15	12	235		231	220	200	176	165	143	104	78	2-1/2"	
WK-0814	25	18.5	14	274		263	247	222	193	183	160	116	88	/ 3"	
WK-0815	25	18.5	15	291		280	261	238	207	193	170	125	95		
WK-0816	30	22	16	310		295	277	252	221	214	181	135	100		
WK-0817	30	22	17	334		322	301	272	239	222	194	143	105		
WK-0818	30	22	18	360		346	327	298	260	242	211	153	110		
WK-0822	40	30	22	427		411	391	358	310	290	247	177	130		
WK-0823	40	30	23	446		428	404	371	321	300	261	188	137		
WK-0824	40	30	24	462	443	420	387	338	316	373	200	147			

WK-12 series / 6 Inch / 60Hz

Specifications & Performance Curve

8



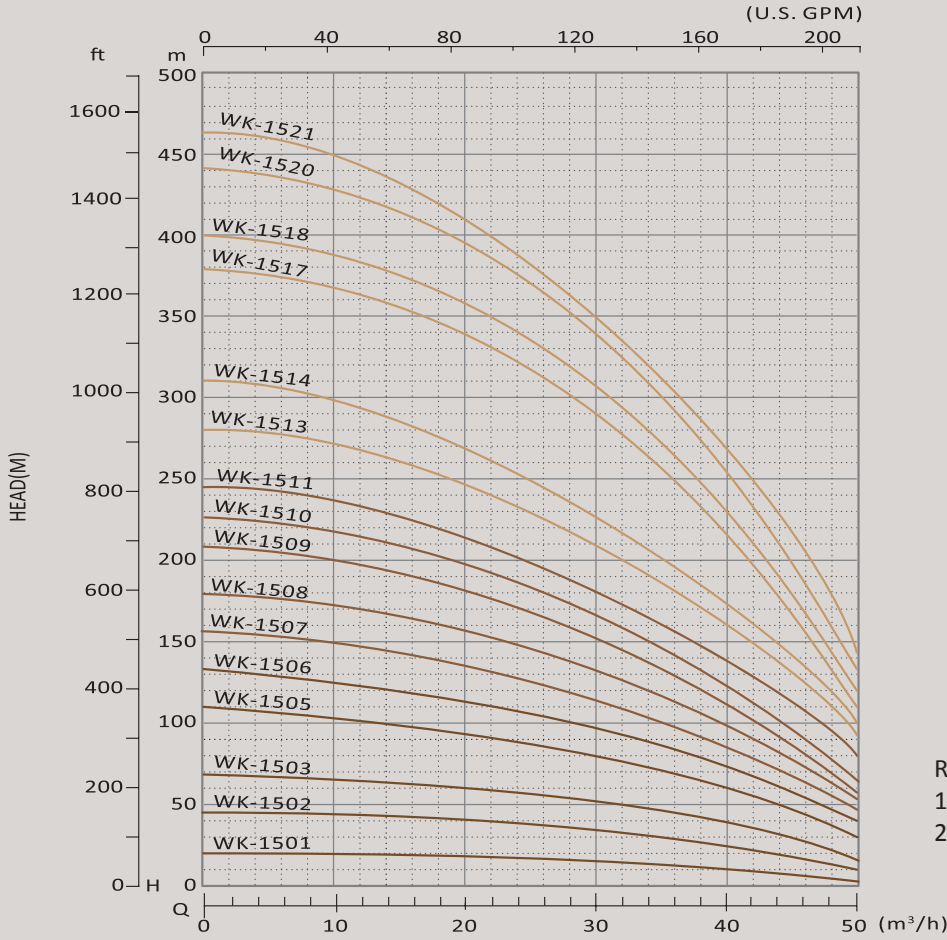
- Remarks
1. Standard 6" suction interconnector
 2. 4" suction interconnector is optional for WK-1202,1203

MODEL	POWER			Stages	CAPACITY						Disch	
	Motor	HP	kW		m³/hr	0	10	20	30	40		42
					GPM	0	44	88	132	176	185	
					LPM	0	167	333	500	667	700	
WK-1202	4"	5	3.7	2	HEAD (m)	43	41	37	29	15	11	
WK-1203		8	5.5	3		63	60	52	40	21	17	
WK-1203		8	5.5	3		63	60	52	40	21	17	
WK-1204	10	7.5	4	88		84	72	53	27	20		
WK-1205	10	7.5	5	107		100	87	65	36	29		
WK-1206	15	11	6	131		125	105	79	45	38		
WK-1207	15	11	7	152		147	129	96	52	42		
WK-1208	20	15	8	164		160	141	108	60	48		
WK-1209	20	15	9	185		181	160	122	68	56	2"/	
WK-1210	6"	25	18.5	10		210	202	178	136	78	62	2-1/2"
WK-1211		30	22	11		233	222	195	153	90	73	/ 3"
WK-1212		30	22	12		263	247	214	164	101	87	
WK-1215		40	30	15		313	297	260	197	118	100	
WK-1216		40	30	16		335	312	273	212	131	112	
WK-1217		40	30	17		357	332	290	230	147	127	
WK-1220	50	37	20	409	387	342	275	182	163			
WK-1221	50	37	21	430	408	360	292	198	175			
WK-1224	60	45	24	477	455	410	324	210	186			
WK-1225	60	45	25	499	477	432	344	222	197			

WK-15 series / 6 Inch / 60Hz

9

Specifications & Performance Curve



Remarks

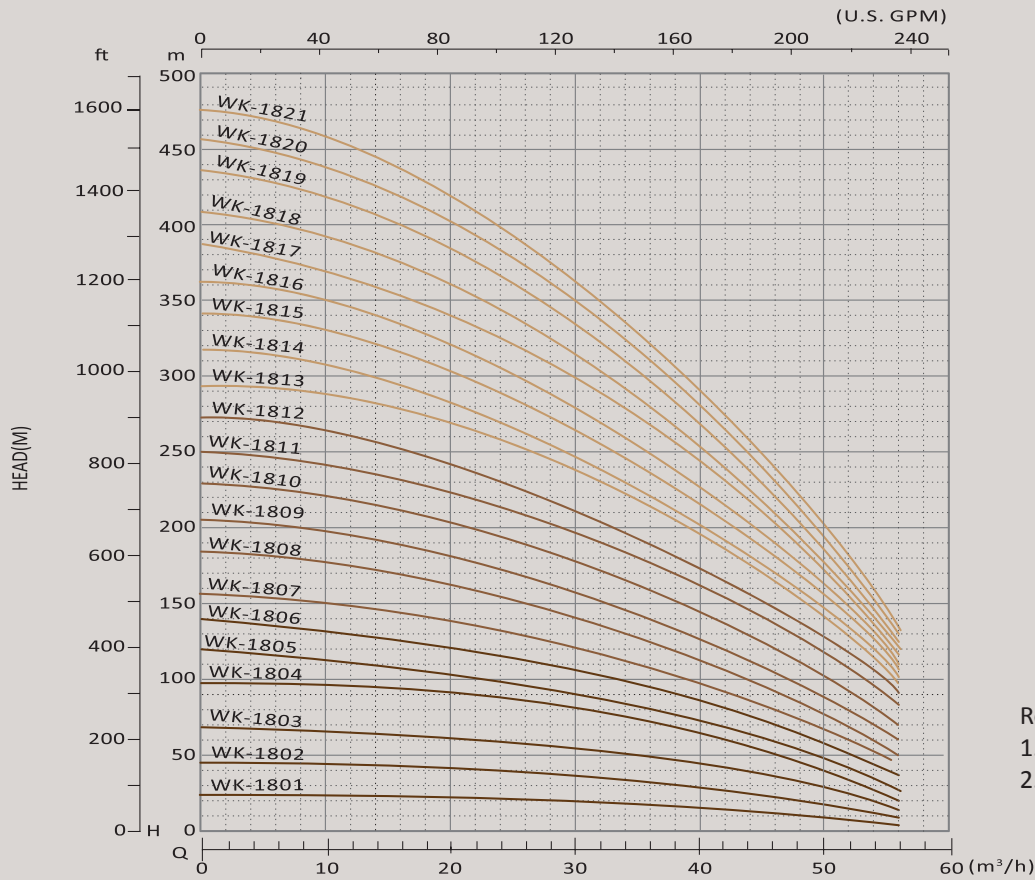
1. Standard 6" suction interconnector
2. 4" suction interconnector is optional for WK-1501,1502

MODEL	POWER			Stages	CAPACITY							Disch	
	Motor Size	HP	kW		m ³ /hr	0	10	20	30	36	40		50
					GPM	0	44	88	132	160	176		220
				LPM	0	167	333	500	600	667	834		
WK-1501	4"	3	2.2	1	21	20	18	16	13	10	4		
WK-1502		7.5	5.5	2	44	42	39	21	27	22	11		
WK-1502		7.5	5.5	2	44	42	39	21	27	22	11		
WK-1503		10	7.5	3	68	66	61	50	42	35	18		
WK-1505		15	11	5	114	111	102	87	74	62	31		
WK-1506		20	15	6	135	132	121	100	85	73	37		
WK-1507		20	15	7	157	153	140	116	97	82	43		
WK-1508		25	18.5	8	179	173	159	132	113	96	48	2" / 2-1/2" / 3"	
WK-1509	6"	30	22	9	202	197	179	150	126	108	57		
WK-1510		30	22	10	238	217	195	163	140	121	65		
WK-1511		30	22	11	245	234	211	177	152	132	75		
WK-1513		40	30	13	293	280	257	217	183	159	87		
WK-1514		40	30	14	313	299	273	232	200	176	99		
WK-1517		50	37	17	377	363	335	281	240	205	107		
WK-1518		50	37	18	399	382	351	296	253	220	119		
WK-1520		60	45	20	443	426	392	335	285	246	130		
WK-1521		60	45	21	464	443	407	350	300	263	141		

WK-18 series / 6 Inch / 60Hz

Specifications & Performance Curve

10



Remarks

1. Standard 6" suction interconnector
2. 4" suction interconnector is optional for WK-1801,1802

MODEL	POWER			Stages	CAPACITY								Disch	
	Motor	HP	kW		m³/hr	0	10	20	30	39	40	50		56
					GPM	0	44	88	132	160	176	220		247
					LPM	0	167	333	500	650	667	834	934	
WK-1801	4"	3	2.2	1	HEAD	22	21	20	18	14	13	10	7	
WK-1802		7.5	5.5	2	(m)	47	45	41	36	29	27	17	10	
WK-1802		7.5	5.5	2		47	45	41	36	29	27	17	15	
WK-1803		10	7.5	3		67	66	62	53	45	41	26	20	
WK-1804		15	11	4		93	90	84	75	64	60	38	28	
WK-1805		15	11	5		118	104	108	93	80	75	50	38	
WK-1806		20	15	6		140	136	126	110	94	89	60	46	
WK-1807		20	15	7		158	154	143	126	107	101	69	50	
WK-1808		25	18.5	8		185	181	167	147	123	116	78	58	
WK-1809		25	18.5	9		206	199	182	159	135	127	88	67	
WK-1810	6"	30	22	10		228	221	204	180	152	143	100	76	
WK-1811		35	26	11		249	242	228	202	172	163	112	87	
WK-1812		40	30	12		272	254	248	218	186	175	122	97	
WK-1813		40	30	13		296	284	264	232	197	187	133	99	
WK-1814		40	30	14		316	303	280	246	210	200	141	105	
WK-1815		50	37	15		338	323	300	261	221	212	150	111	
WK-1816		50	37	16		362	348	321	282	240	228	160	113	
WK-1817		50	37	17		387	371	342	300	252	240	163	115	
WK-1818		60	45	18		412	394	368	322	270	257	173	117	
WK-1819		60	45	19		433	417	388	342	290	276	184	122	
WK-1820		60	45	20		454	436	403	355	302	287	191	125	
WK-1821		60	45	21		474	455	422	371	316	300	203	131	

2"/
2-1/2"
/3"

MODEL	LENGTH mm	WEIGHT KG
WK-0604	424	12.00
WK-0605	472	13.50
WK-0606	519	15.20
WK-0607	556	16.80
WK-0608	605	18.40
WK-0611	727	23.20
WK-0613	842	26.30
WK-0614	890	28.00
WK-0615	937	29.80
WK-0617	1032	32.70
WK-0618	1080	34.50
WK-0619	1127	36.00
WK-0621	1222	40.00
WK-0622	1270	41.60
WK-0623	1317	43.60
WK-0626	1460	48.40
WK-0627	1507	50.00

MODEL	LENGTH mm	WEIGHT KG
WK-0802	329	9.00
WK-0803	376	10.50
WK-0804	424	12.00
WK-0806	510	15.00
WK-0808	605	18.50
WK-0809	652	20.00
WK-0811	747	21.60
WK-0812	795	25.00
WK-0814	890	28.00
WK-0815	937	30.00
WK-0816	985	31.50
WK-0817	1032	33.00
WK-0818	1080	34.50
WK-0822	1270	41.00
WK-0823	1317	42.50
WK-0824	1365	44.00

MODEL	LENGTH mm	WEIGHT KG
WK-1202	348	9.00
WK-1203	405	10.80
WK-1204	453	12.50
WK-1205	510	14.20
WK-1206	567	15.90
WK-1207	624	17.60
WK-1208	681	19.30
WK-1209	738	21.00
WK-1210	795	22.70
WK-1211	852	24.50
WK-1212	909	26.00
WK-1215	1080	31.00
WK-1216	1137	33.00
WK-1217	1194	34.50
WK-1220	1365	40.00
WK-1221	1422	41.50
WK-1224	1593	46.50
WK-1225	1650	48.00

MODEL	LENGTH mm	WEIGHT KG
WK-1501	291	7.40
WK-1502	348	9.00
WK-1503	396	10.80
WK-1505	510	14.20
WK-1506	567	16.00
WK-1507	624	17.60
WK-1508	681	19.30
WK-1509	738	21.00
WK-1510	795	22.70
WK-1511	852	24.50
WK-1513	966	27.80
WK-1514	1023	29.50
WK-1517	1194	34.60
WK-1518	1251	36.30
WK-1520	1365	40.00
WK-1521	1422	41.50

MODEL	LENGTH mm	WEIGHT KG
WK-1801	291	7.50
WK-1802	348	9.40
WK-1803	396	11.00
WK-1804	453	13.00
WK-1805	510	14.80
WK-1806	567	16.60
WK-1807	624	18.40
WK-1808	681	20.00
WK-1809	738	22.00
WK-1810	795	23.80
WK-1811	852	25.50
WK-1812	909	27.00
WK-1813	966	29.00
WK-1814	1023	31.00
WK-1815	1080	32.80
WK-1816	1137	34.60
WK-1817	1194	36.00
WK-1817	1251	38.00
WK-1819	1308	40.00
WK-1820	1365	41.50
WK-1821	1422	43.50

WK-06/08/12/15/18 SERIES
DIMENSIONS & WEIGHTS

WJ-08/12/15/18/20 SERIES SPARE PARTS/APPLICATIONS



Technical Data

- 8" pump size
- Standard 6" suction interconnector
- Flow: Max. 57m³/h
- Head: Max. 460m
- Max. sand content: 50g/m³
- Liquid Temp.: 0°C to 35°C
- pH values: 6 to 8
- Installation depth: Max. 300m

Applications

- Groundwater intake/water supply
- Municipal and industrial waters supply
- Irrigation/raw water supply
- Dewatering (construction sites, mines)
- Thermal waters, pools, and springs
- Fish farming
- Fountains
- Offshore
- Pressure boosting



NBR Top Ring
Avoid shaft damage when motor starts



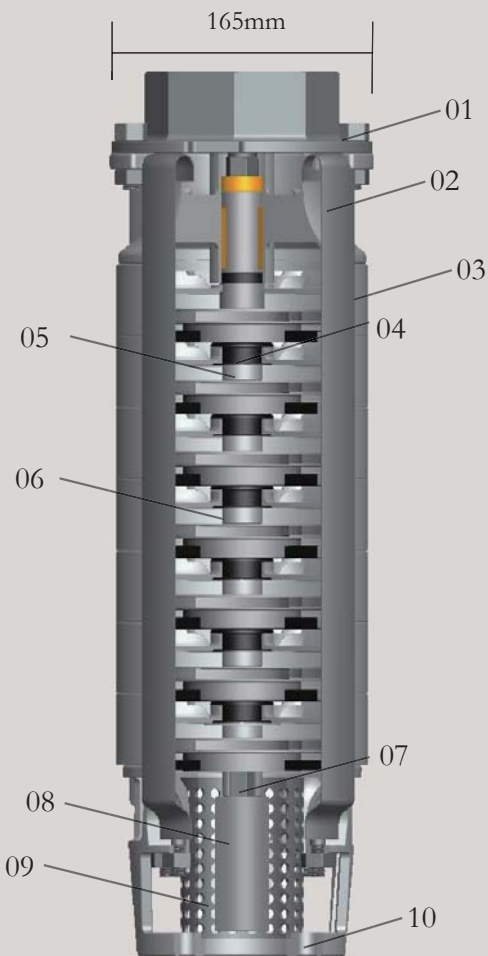
Integrated Welded Impeller
For better performance and fewer breakdowns



Suction Interconnector
The inlet strainer prevents particles over a certain size from entering the pump



NBR Connecting Plate
Abrasion resistant with NBR material and precise design



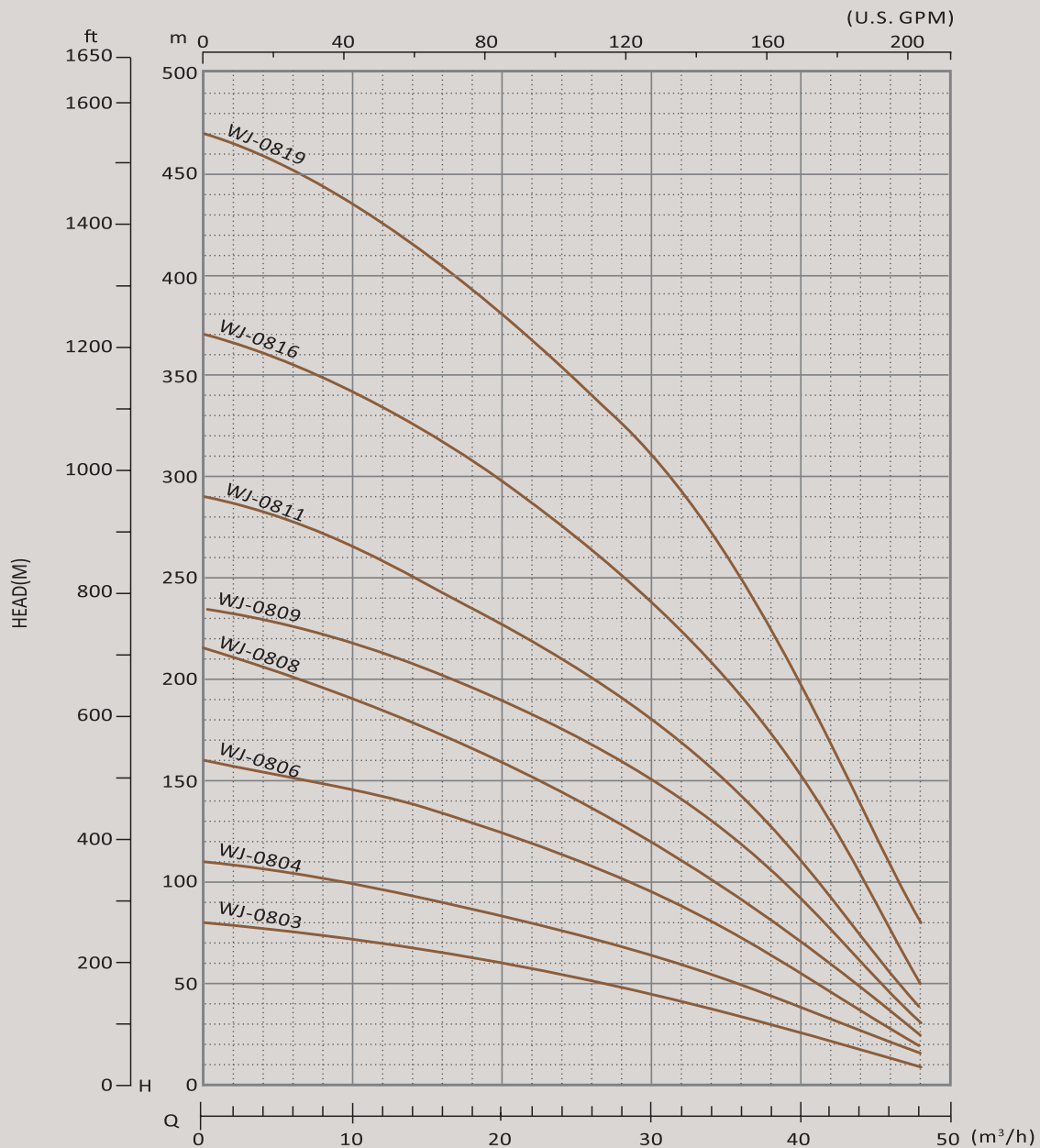
No.	Component	Material
1	Flange	SUS304
2	Dischage Bowl	SUS304
3	Intermediate Chamber	SUS304
4	Neck Ring	NBR
5	Shaft Sleeve	NBR
6	Impeller	SUS304
7	Shaft	SUS410
8	Coupling	SUS410
9	Strainer	SUS304
10	Suction Interconnector	SUS304

WJ-08/12/15/18/20 SERIES
FEATURES & CONSTRUCTIONS

WJ-08 series / 8 Inch / 60Hz

Specifications & Performance Curve

14

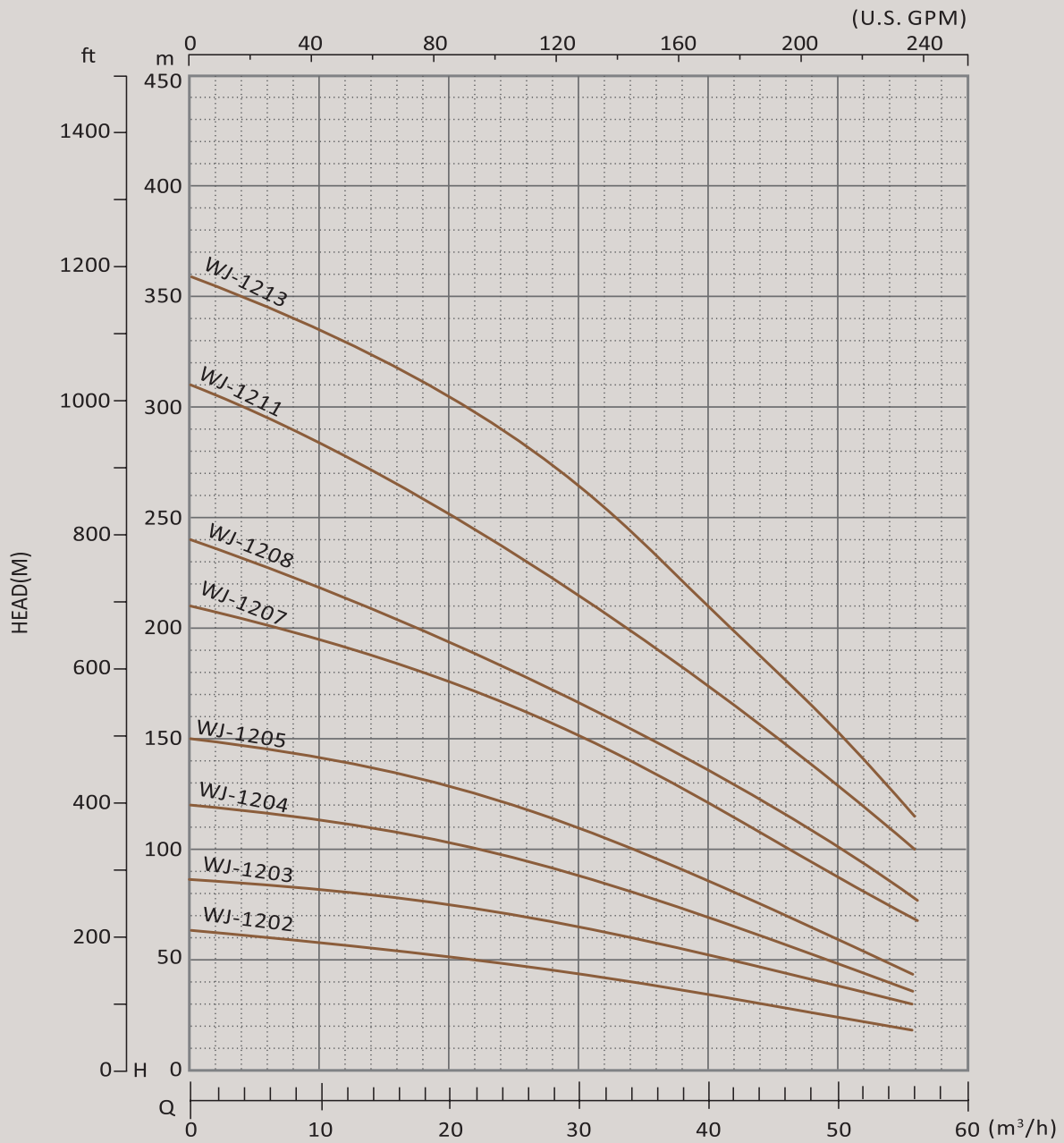


MODEL	POWER		Stages	CAPACITY							Disch	
	HP	kW		m³/hr	0	10	20	28	30	40		48
				GPM	0	44	88	122	132	176		211
			LPM	0	167	333	467	500	667	800		
WJ-0803	7.5	5.5	3	HEAD	80	74	67	54	51	30	10	3" / 4"
WJ-0804	10	7.5	4	(m)	108	100	89	74	69	40	14	
WJ-0806	15	11	6		159	142	124	104	99	60	18	
WJ-0808	20	15	8		212	192	169	140	130	74	22	
WJ-0809	25	18.5	9		237	218	191	162	150	85	28	
WJ-0811	30	22	11		290	263	231	198	186	108	39	
WJ-0816	40	30	16		368	339	302	259	242	138	48	
WJ-0819	50	37.5	19		468	434	391	340	325	210	76	

WJ-12 series / 8 Inch / 60Hz

15

Specifications & Performance Curve

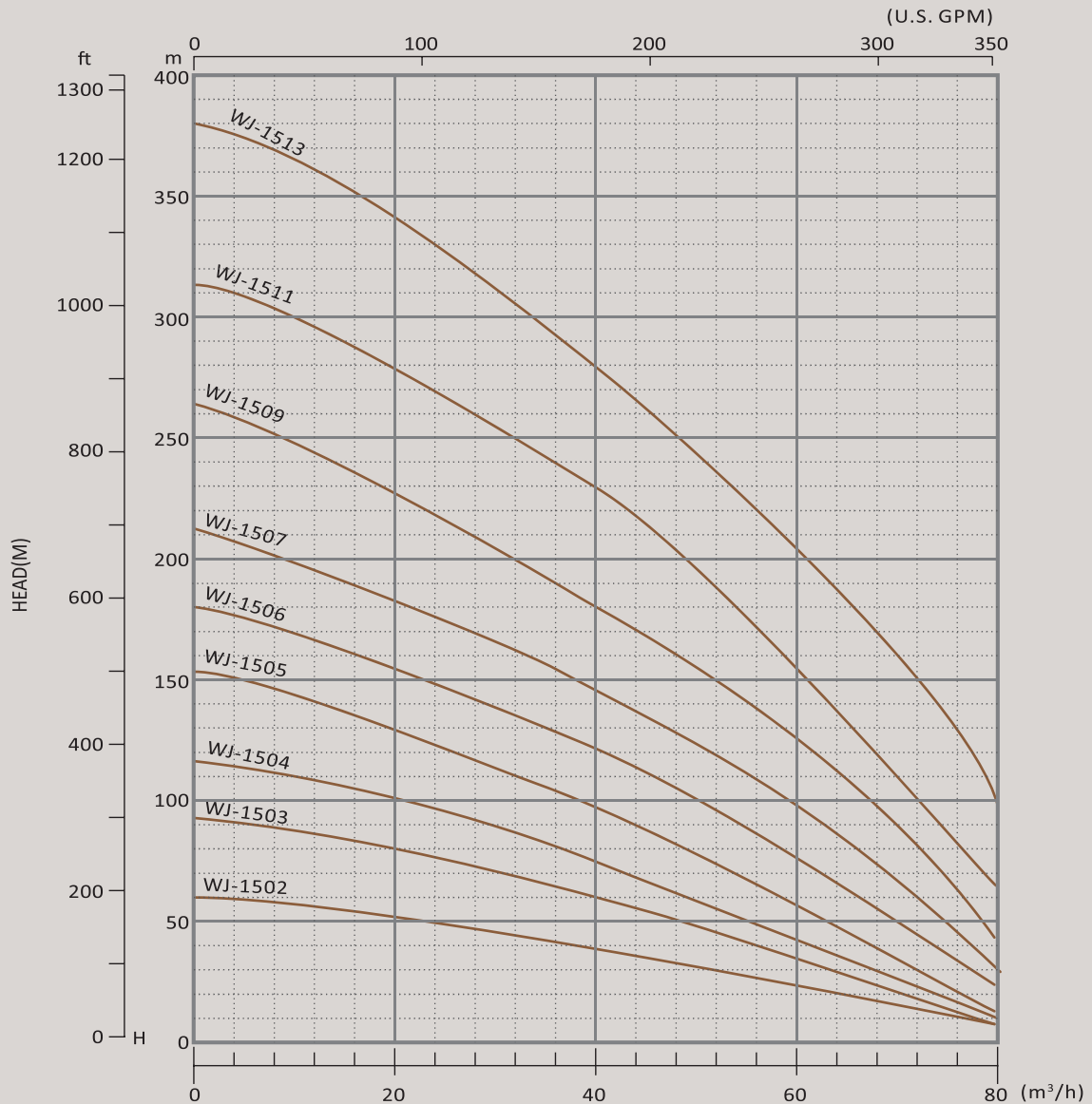


MODEL	POWER		Stages	CAPACITY								Disch	
	HP	kW		m³/hr	0	10	20	30	36	40	50		58
				GPM	0	44	88	132	160	176	220		255
			LPM	0	167	333	500	600	667	834	967		
WJ-1202	7.5	5.5	2	HEAD	62	56	50	44	40	38	29	20	3" / 4"
WJ-1203	10	7.5	3	(m)	91	82	73	65	59	54	40	27	
WJ-1204	15	11	4		120	109	98	88	87	73	53	32	
WJ-1205	20	15	5		152	138	123	110	102	93	70	42	
WJ-1207	25	18.5	7		211	192	174	156	142	130	98	69	
WJ-1208	30	22	8		238	218	197	175	160	147	109	74	
WJ-1211	40	30	11		312	290	267	239	218	203	151	100	
WJ-1213	50	37.5	13		363	340	314	280	257	237	175	117	

WJ-15 series / 8 Inch / 60Hz

Specifications & Performance Curve

16

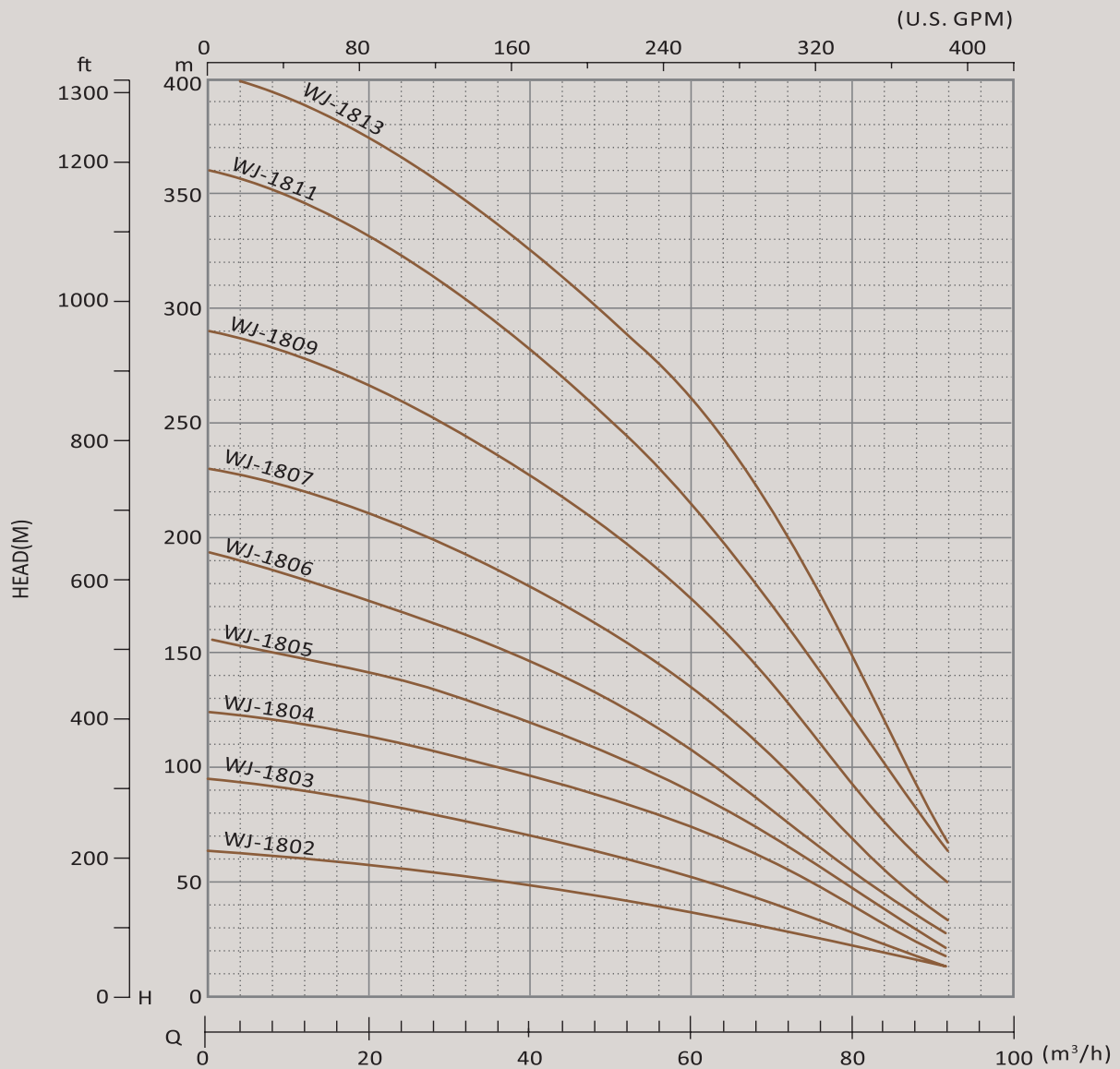


MODEL	POWER		Stages	CAPACITY						Disch	
	HP	kW		m³/hr	0	10	20	30	36		40
				GPM	0	44	88	132	160		176
				LPM	0	167	333	500	600		667
WJ-1502	7.5	5.5	2	63	53	42	38	29	10	3" / 4"	
WJ-1503	10	7.5	3	88	77	61	55	40	13		
WJ-1504	15	11	4	116	100	80	71	50	14		
WJ-1505	20	15	5	155	132	107	96	70	15		
WJ-1506	25	18.5	6	187	160	132	120	90	28		
WJ-1507	30	22	7	213	183	148	135	103	32		
WJ-1509	40	30	9	265	230	188	172	131	43		
WJ-1511	50	37.5	11	318	281	233	212	156	63		
WJ-1513	60	45	13	377	340	292	269	209	100		

WJ-18 series / 8 Inch / 60Hz

17

Specifications & Performance Curve

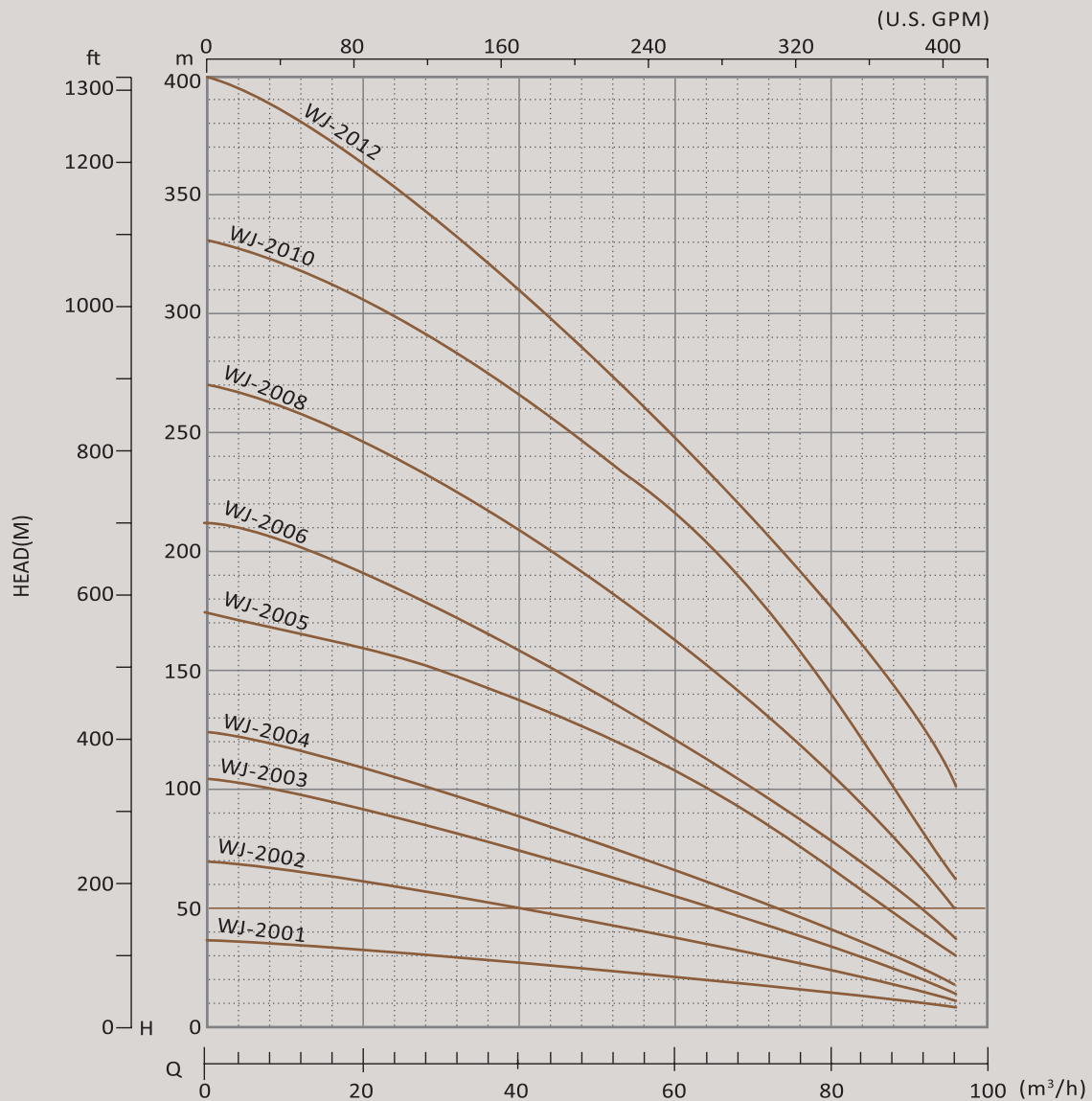


MODEL	POWER		Stages	CAPACITY							Disch	
	HP	kW		m³/hr	0	20	40	55	60	80		92
				GPM	0	88	176	240	264	352		405
				LPM	0	333	667	917	1000	1334		1534
WJ-1802	10	7.5	2	67	59	50	40	37	20	9	3" / 4"	
WJ-1803	15	11	3	97	83	70	55	51	27	11		
WJ-1804	20	15	4	130	113	96	79	75	40	13		
WJ-1805	25	18.5	5	160	140	120	99	92	47	19		
WJ-1806	30	22	6	195	170	141	113	105	57	23		
WJ-1807	40	30	7	231	203	175	146	135	72	31		
WJ-1809	50	37.5	9	290	260	224	187	176	103	48		
WJ-1811	60	45	11	355	312	266	220	205	113	53		
WJ-1813	75	55	13	410	353	293	240	222	121	58		

WJ-20 series / 8 Inch / 60Hz

Specifications & Performance Curve

18



MODEL	POWER		Stages	CAPACITY							Disch	
	HP	kW		m³/hr	0	20	40	57	60	80		92
				GPM	0	88	176	250	264	352	405	
				LPM	0	333	667	950	1000	1334	1534	
WJ-2001	7.5	5.5	1	HEAD (m)	35	30	17	22	20	15	8	
WJ-2002	10	7.5	2		58	60	53	43	41	25	9	
WJ-2003	20	15	3		102	90	79	64	62	40	15	
WJ-2004	25	18.5	4		131	118	102	83	80	50	18	
WJ-2005	30	22	5		166	147	129	107	105	68	32	3" / 4"
WJ-2006	40	30	6		205	181	158	131	129	82	41	
WJ-2008	50	37.5	8		268	238	208	173	170	110	51	
WJ-2010	60	45	10		332	293	256	210	207	130	58	
WJ-2012	75	55	12		398	360	320	270	267	188	103	

MODEL	LENGTH mm	WEIGHT KG
WJ-0803	359	14.00
WJ-0804	406	16.20
WJ-0806	501	21.00
WJ-0808	595	24.5
WJ-0809	644	28.00
WJ-0811	739	33.00
WJ-0816	977	36.50
WJ-0819	1072	39.00

MODEL	LENGTH mm	WEIGHT KG
WJ-1202	330	12.00
WJ-1203	387	14.00
WJ-1205	501	20.00
WJ-1207	615	24.00
WJ-1208	672	27.00
WJ-1211	895	34.00
WJ-1213	954	38.00

MODEL	LENGTH mm	WEIGHT KG
WJ-1502	330	12.00
WJ-1503	387	15.00
WJ-1504	444	17.00
WJ-1505	501	19.50
WJ-1506	558	23.00
WJ-1507	615	25.00
WJ-1509	729	30.00
WJ-1511	843	34.00
WJ-1513	1045	38.00

MODEL	LENGTH mm	WEIGHT KG
WJ-1802	340	15.00
WJ-1803	400	16.00
WJ-1804	460	17.00
WJ-1805	520	20.00
WJ-1806	580	22.00
WJ-1807	640	24.00
WJ-1809	760	30.00
WJ-1810	865	32.00
WJ-1813	1045	41.00

MODEL	LENGTH mm	WEIGHT KG
WJ-2001	280	9.00
WJ-2002	340	12.00
WJ-2003	400	15.00
WJ-2004	460	17.00
WJ-2005	520	20.00
WJ-2006	580	22.00
WJ-2008	700	27.00
WJ-2010	820	32.00
WJ-2012	940	38.00

WJ-08/12/15/18/20 SERIES
DIMENSIONS & WEIGHTS

WJ-21 SERIES SPARE PARTS/APPLICATIONS



Technical Data

- 12" pump size
- Standard 8" suction interconnector
- Flow: 87m³/h
- Head: Max. 280m
- Max. sand content: 50g/m³
- Liquid Temp.: 0°C to 35°C
- pH values: 6 to 8
- Installation depth: Max. 300m

Applications

- Groundwater intake/water supply
- Municipal and industrial waters supply
- Irrigation/raw water supply
- Dewatering (construction sites, mines)
- Thermal waters, pools, and springs
- Fish farming
- Fountains
- Offshore
- Pressure boosting



Entire SUS 304 Made
SUS 304 stainless steel inside out makes the pump very resistant to corrosion



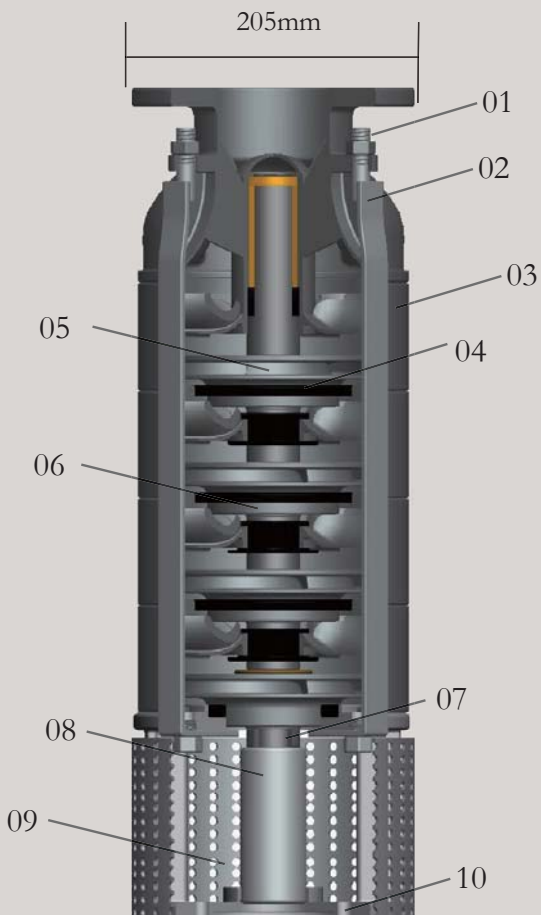
SS casted Impeller
Abrasion resistant with optimised hydraulics



SUS 410 Shaft
Strong, stainless-steel quality



Suction Interconnector
The inlet strainer is available



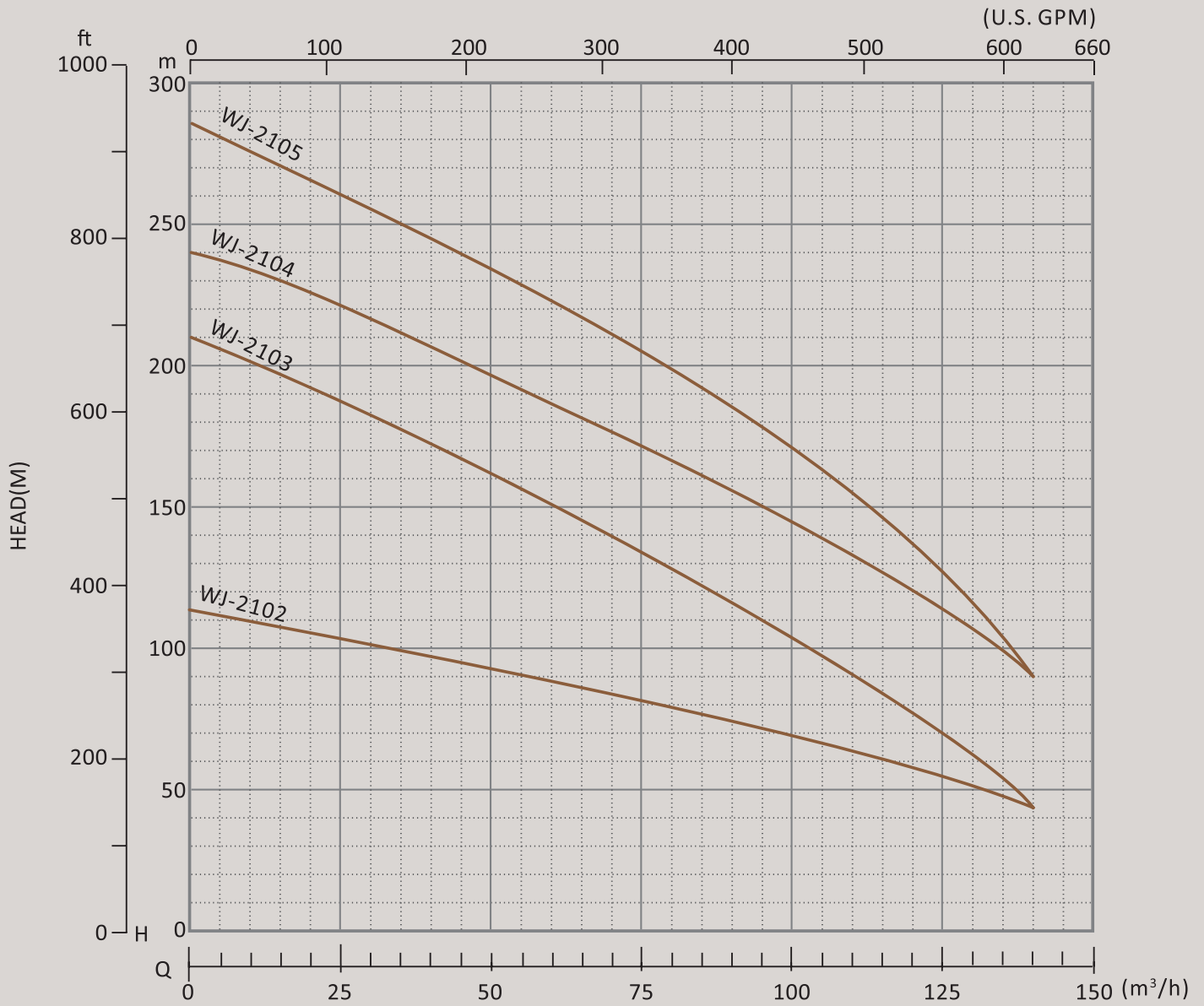
No.	Component	Material
1	Flange	SUS304
2	Dischage Bowl	SUS304
3	Intermediate Chamber	SUS304
4	Neck Ring	NBR
5	Shaft Sleeve	NBR
6	Impeller	SUS304
7	Shaft	SUS410
8	Coupling	SUS410
9	Strainer	SUS304
10	Suction Interconnector	SUS304

WJ-21 SERIES
FEATURES & CONSTRUCTIONS

WJ-21 series / 12 Inch / 60Hz

Specifications & Performance Curve

22



MODEL	POWER		Stages	HEAD (m)	CAPACITY								Disch	
	HP	kW			m³/hr	0	25	50	75	87	100	125		140
					GPM	0	110	220	330	385	440	550		616
			LPM	0	417	834	1250	1458	1667	2084	2334			
WJ-2102	40	30	2		114	105	95	82	72	69	50	39		
WJ-2103	60	45	3		207	186	163	141	125	113	71	43	4"10K	
WJ-2104	75	55	4		238	218	194	172	156	147	113	90	Flange	
WJ-2105	100	75	5		283	260	233	207	196	175	129	91		

MODEL	LENGTH	WEIGHT
	mm	KG
WJ-2102	496	38.7
WJ-2103	579	46.4
WJ-2104	662	54.1
WJ-2105	745	61.8

WJ-21 SERIES
DIMENSIONS & WEIGHTS

WM-08 SERIES SPARE PARTS/APPLICATIONS



Technical Data

- 8" or 10" pump size
- Standard 8" suction interconnector
- Flow: 75m³/h
- Head: Max. 125m
- Max. sand content: 50g/m³
- Liquid Temp.: 0°C to 35°C
- pH values: 6 to 8
- Installation depth: Max. 100m

Applications

- Groundwater intake/water supply
- Municipal and industrial waters supply
- Irrigation/raw water supply
- Dewatering (construction sites, mines)
- Thermal waters, pools, and springs
- Fish farming
- Fountains
- Offshore
- Pressure boosting



Entire SUS 304 Made
SUS 304 stainless steel inside out makes the pump very resistant to corrosion.



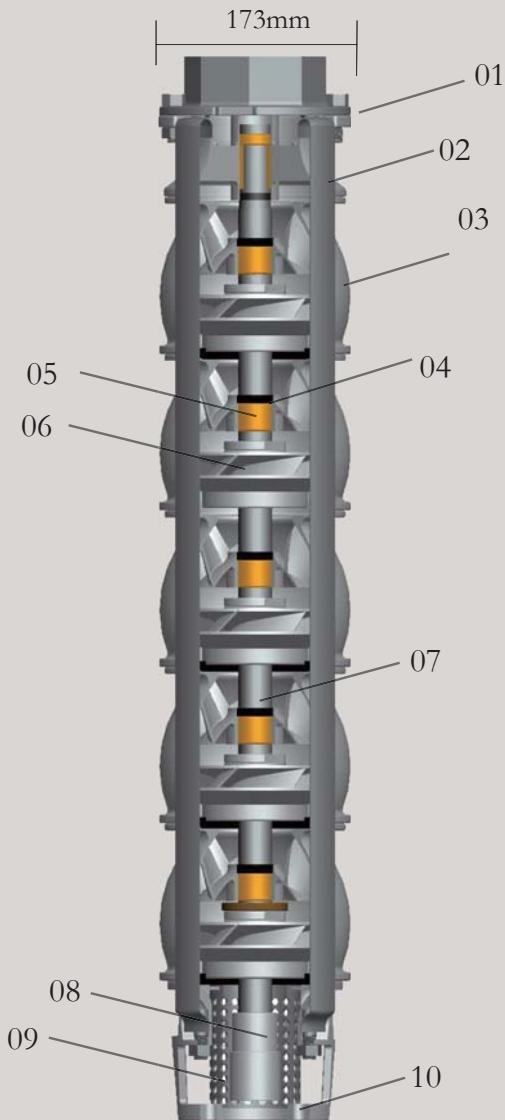
SS casted Impeller
Abrasion resistant with optimised hydraulics.



Intermediate Chamber
Optimized hydraulic and mechanical design.



Suction Interconnector
The inlet strainer is available.



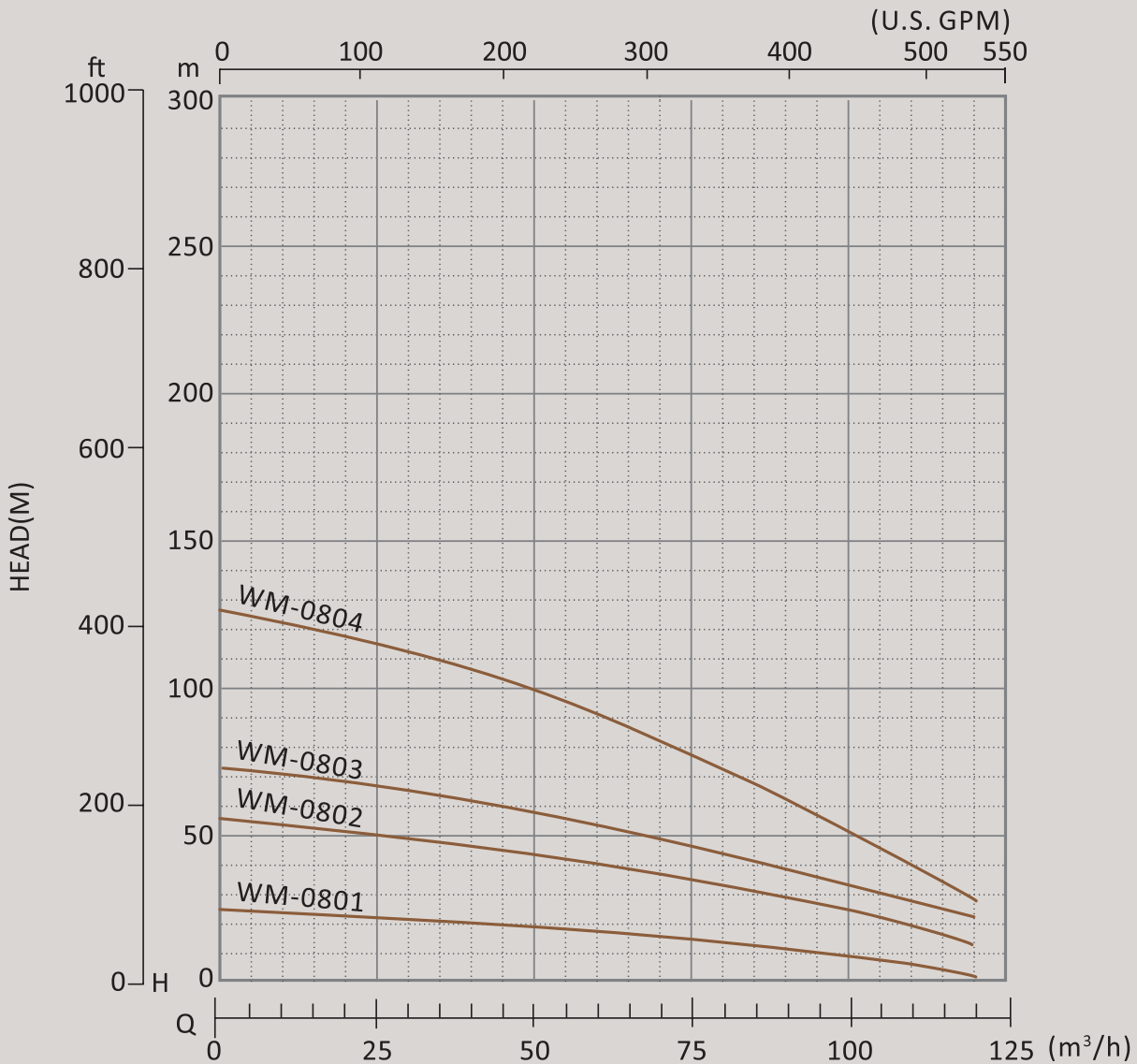
No.	Component	Material
1	Flange	SUS304
2	Dischage Bowl	SUS304
3	Intermediate Chamber	SUS304
4	Neck Ring	NBR
5	Shaft Sleeve	NBR
6	Impeller	SUS304
7	Shaft	SUS410
8	Coupling	SUS410
9	Strainer	SUS304
10	Suction Interconnector	SUS304

WM-08 SERIES FEATURES & CONSTRUCTIONS

WM-08 series / 8 & 10 Inch / 60Hz

Specifications & Performance Curve

26



Remarks

1. 8" Pump size
2. Standard 8" suction interconnector
3. 6" suction interconnector is optional for WM-0801

MODEL	POWER		Stages	CAPACITY						Disch	
	HP	kW		m³/hr	0	25	50	75	100		120
				GPM	0	110	220	330	440		528
				LPM	0	417	834	1250	1667		2000
WM-0801	5	3.7	1	HEAD (m)	23	20	17	13	8	0	4"
WM-0802	15	11	2	54	47	40	34	23	14		
WM-0803	20	15	3	75	68	57	48	34	27		
WM-0804	35	26	4	125	111	93	77	52	32		

	MODEL	LENGTH	WEIGHT
		mm	KG
8"	WM-0801	320	18
	WM-0802	440	25
	WM-0803	560	33
	WM-0804	680	40

WM-08 SERIES
DIMENSIONS & WEIGHTS

WM-10 SERIES SPARE PARTS/APPLICATIONS



Technical Data

- 10" pump size
- Standard 8" suction interconnector
- Flow: 128m³/h
- Head: Max. 177m
- Max. sand content: 50g/m³
- Liquid Temp.: 0°C to 35°C
- pH values: 6 to 8
- Installation depth: Max. 100m

Applications

- Groundwater intake/water supply
- Municipal and industrial waters supply
- Irrigation/raw water supply
- Dewatering (construction sites, mines)
- Thermal waters, pools, and springs
- Fish farming
- Fountains
- Offshore
- Pressure boosting



Entire SUS 304 Made
SUS 304 stainless steel inside out makes the pump very resistant to corrosion.



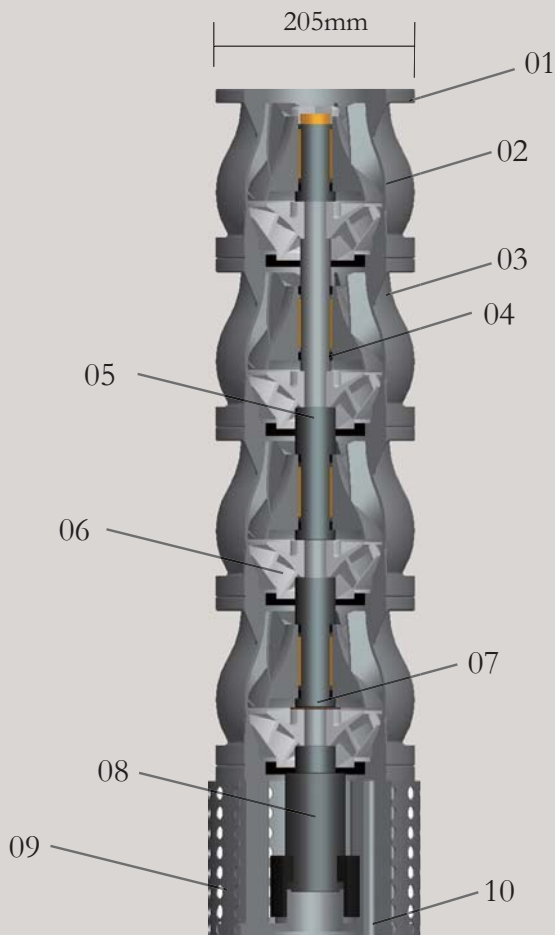
SS casted Impeller
Abrasion resistant with optimised hydraulics.



Intermediate Chamber
Optimized hydraulic and mechanical design.



Suction Interconnector
The inlet strainer is available.



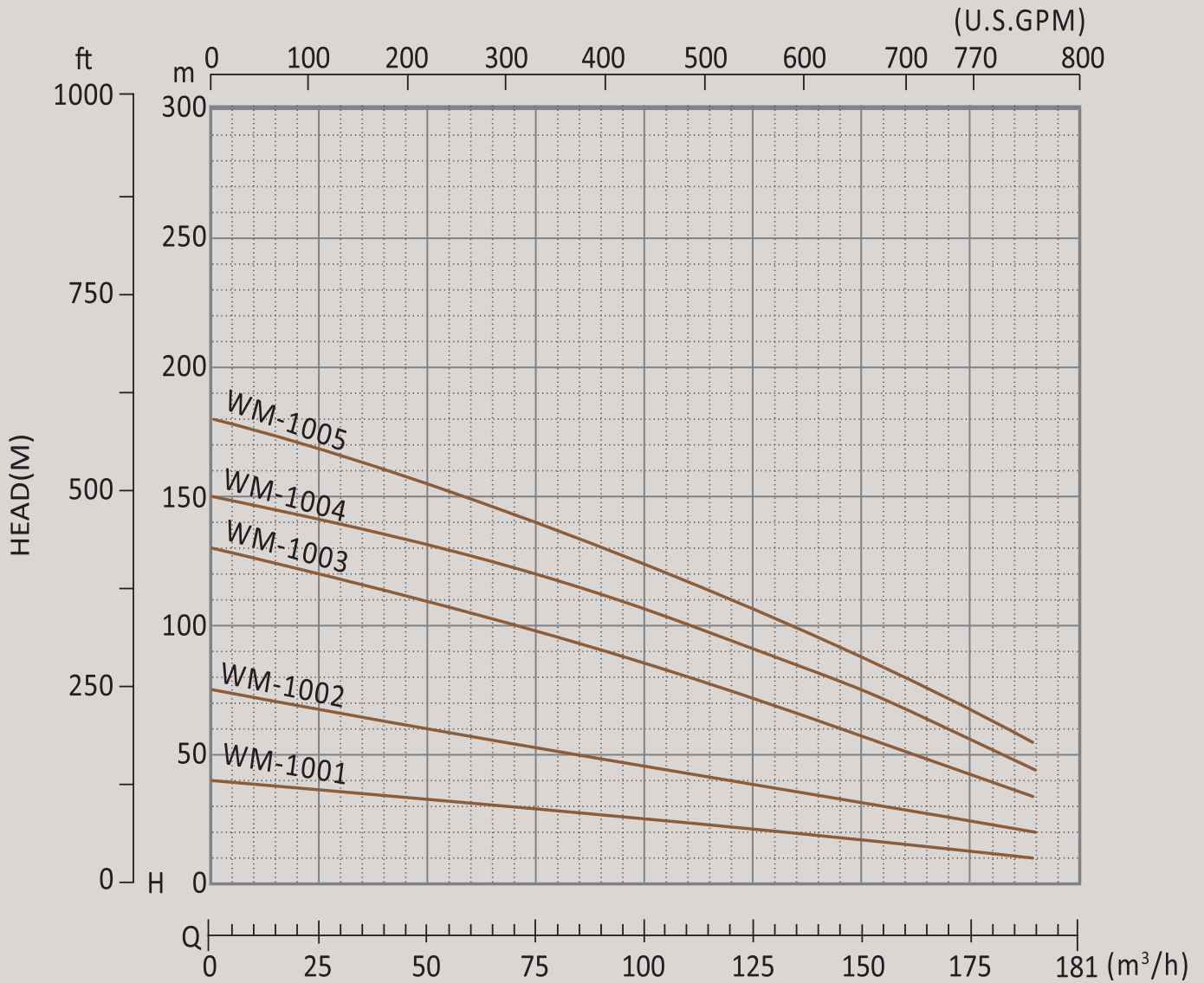
No.	Component	Material
1	Flange	SUS304
2	Dischage Bowl	SUS304
3	Intermediate Chamber	SUS304
4	Neck Ring	NBR
5	Shaft Sleeve	NBR
6	Impeller	SUS304
7	Shaft	SUS410
8	Coupling	SUS410
9	Strainer	SUS304
10	Suction Interconnector	SUS304

WM-10 SERIES FEATURES & CONSTRUCTIONS

WM-10 series / 10 Inch / 60Hz

Specifications & Performance Curve

30



MODEL	POWER		Stages	CAPACITY											Disch
	HP	kW		m³/hr	0	25	50	75	100	125	128	150	175	180	
				GPM	0	110	220	330	440	550	565	660	771	793	
				LPM	0	417	834	1250	1667	2084	2139	2500	2917	3000	
WM-1001	15	11	1	HEAD (m)	40	37	32	30	26	21	19	17	10	9	
WM-1002	30	22	2	74	69	62	55	49	41	39	33	22	20		
WM-1003	50	37.5	3	115	107	98	89	79	68	65	55	39	36		
WM-1004	60	45	4	149	140	129	118	104	90	87	71	51	47		
WM-1005	75	55	5	177	162	149	133	118	101	99	81	58	52		

MODEL	LENGTH	WEIGHT
	mm	KG
WM-1001	478	36
WM-1002	648	54
WM-1003	818	72
WM-1004	988	90
WM-1005	1158	108

WM-10 SERIES
DIMENSIONS & WEIGHTS

WM-14 SERIES SPARE PARTS/APPLICATIONS



Technical Data

- 14" pump size
- Standard 8" suction interconnector
- Flow: 195m³/h
- Head: Max. 160m
- Max. sand content: 50g/m³
- Liquid Temp.: 0°C to 35°C
- pH values: 6 to 8
- Installation depth: Max. 100m

Applications

- Groundwater intake/water supply
- Municipal and industrial waters supply
- Irrigation/raw water supply
- Dewatering (construction sites, mines)
- Thermal waters, pools, and springs
- Fish farming
- Fountains
- Offshore
- Pressure boosting



Entire SUS 304 Made
SUS 304 stainless steel inside out makes the pump very resistant to corrosion.



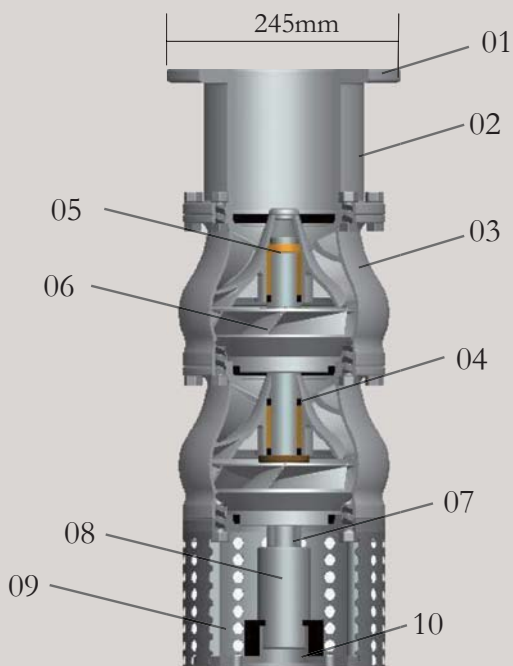
SS casted Impeller
Abrasion resistant with optimised hydraulics.



Intermediate Chamber
Optimized hydraulic and mechanical design.



Suction Interconnector
The inlet strainer prevents particles over a certain size from entering the pump.



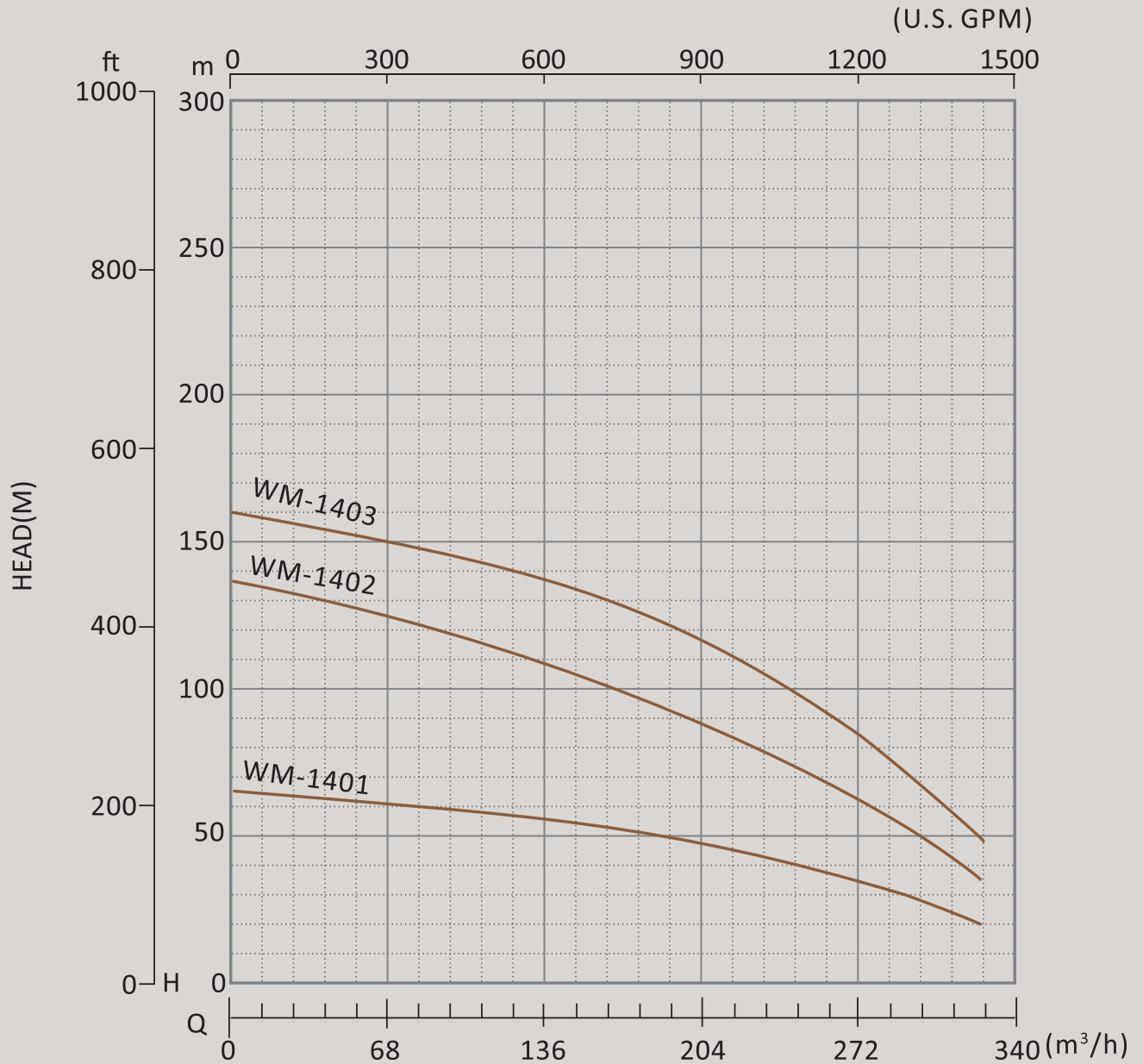
No.	Component	Material
1	Flange	SUS304
2	Dischage Bowl	SUS304
3	Intermediate Chamber	SUS304
4	Neck Ring	NBR
5	Shaft Sleeve	NBR
6	Impeller	SUS304
7	Shaft	SUS410
8	Coupling	SUS410
9	Strainer	SUS304
10	Suction Interconnector	SUS304

WM-14 SERIES FEATURES & CONSTRUCTIONS

WM-14 series / 14 Inch / 60Hz

Specifications & Performance Curve

34



MODEL	POWER		Stages	CAPACITY							Disch	
	HP	kW		m³/hr	0	68	136	195	204	273		318
				GPM	0	300	600	860	900	1200		1400
				LPM	0	1136	2272	3256	3407	4543	5300	
WM-1401	50	37.5	1	HEAD (m)	65	58	48	42	40	30	18	6"10K Flange
WM-1402	100	75	2	HEAD (m)	133	118	104	87	87	66	35	
WM-1403	120	90	3	HEAD (m)	160	147	128	110	107	80	48	

	MODEL	LENGTH	WEIGHT
		mm	KG
14"	WM-1401	506	44
	WM-1402	682	64
	WM-1403	858	84

WM-14 SERIES
DIMENSIONS & WEIGHTS



KNB CORPORATION

No. 139-18, Chung-Ho Road, Keelung, 20347, Taiwan.

T +886-2-24378720 F +886-2-24373482

www.knb.com.tw sales@knb.com.tw