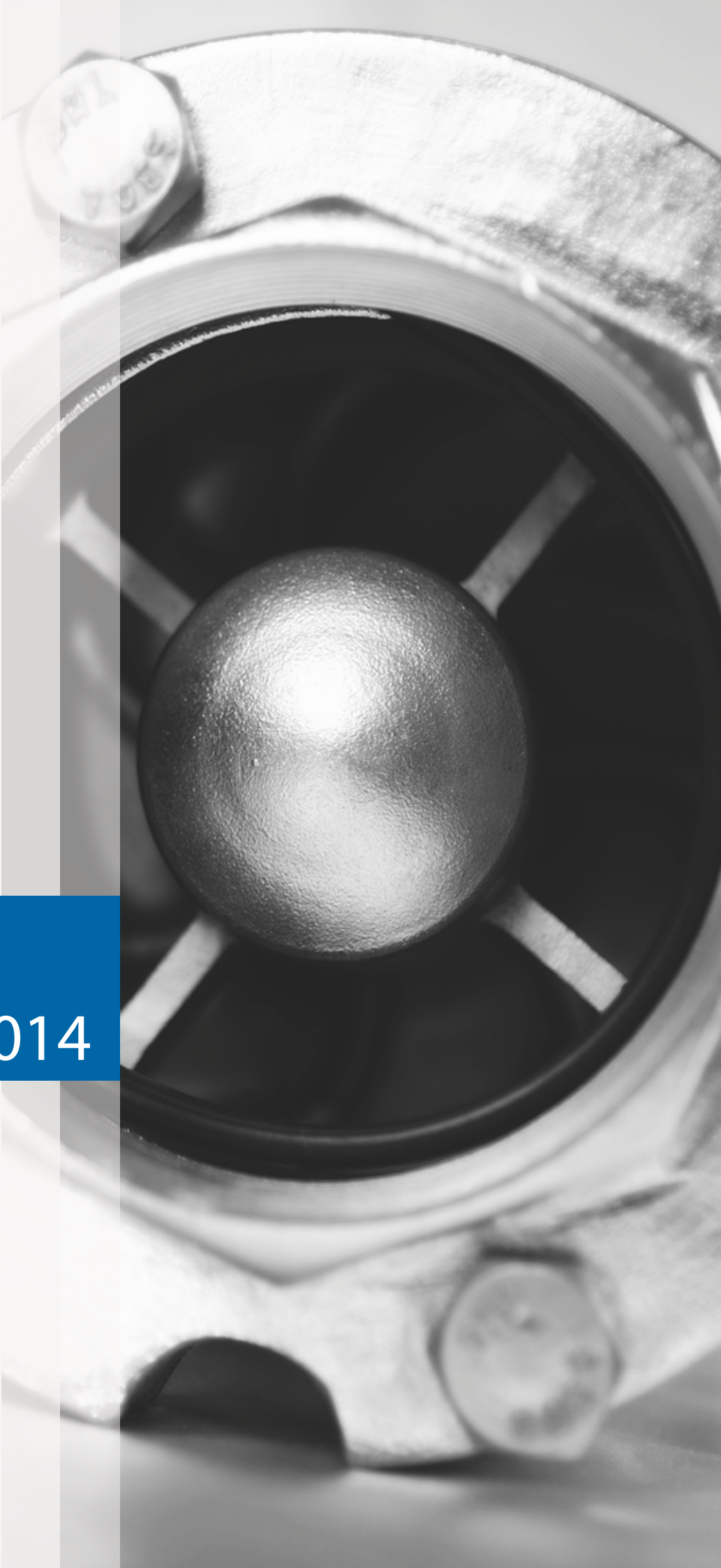


50Hz

KNB CORPORATION

2014

**Stainless Steel
Casting Borehole
Pump - 50Hz**



KNB

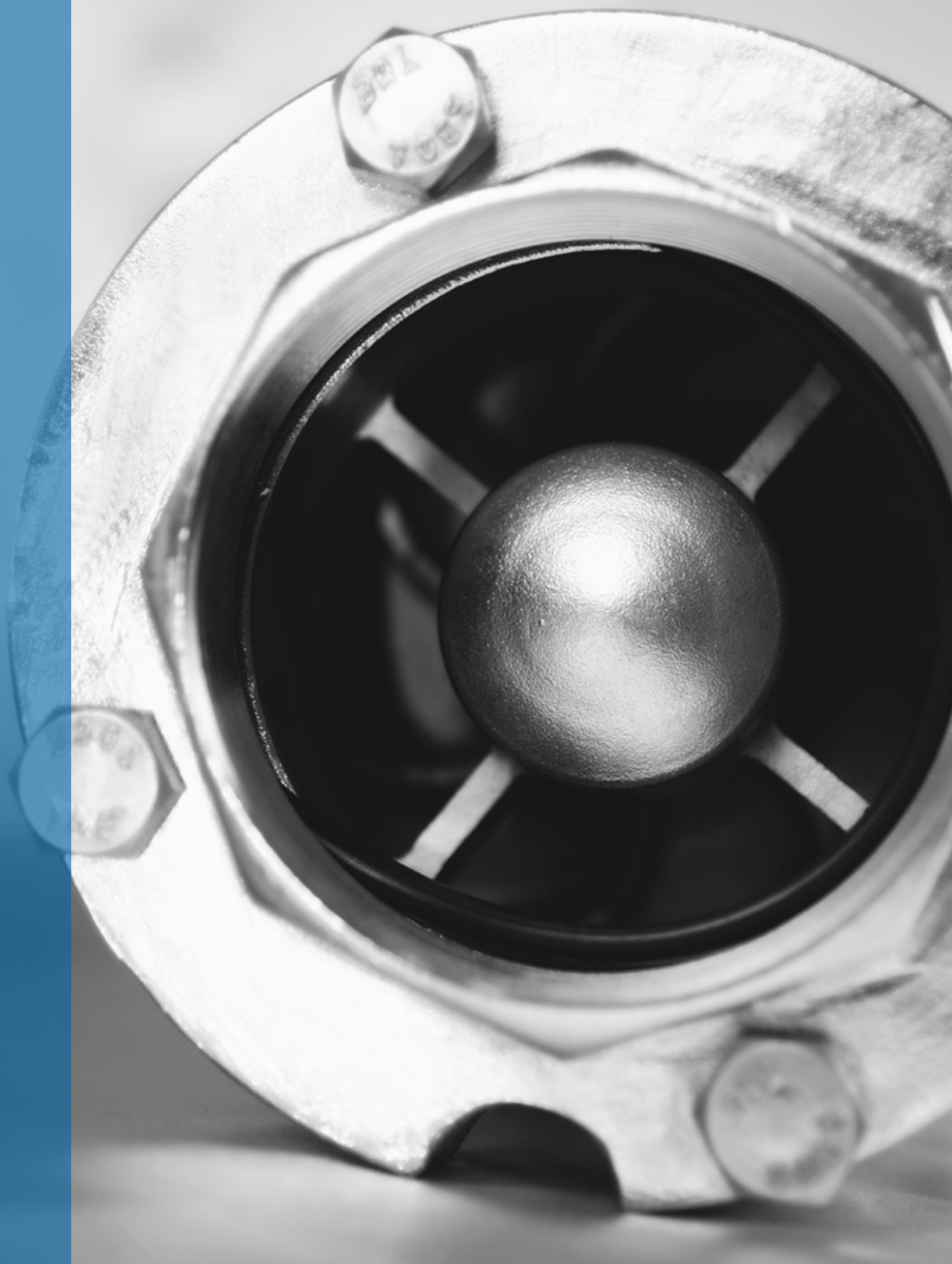
6", 8", 10", 12" and 14" stainless steel casting submersible borehole pumps are manufactured using high quality materials and designed to supply water at the required pressure with high efficiency and a long service life. The W series pumps are built to handle flows of up to 177m³/h. Or heads up to 425 m. These pumps are the most economical, energy-efficient pumps for 6" wells or larger. They provide the optimum amount of water and pressure for farm, civil and industrial use.

Product Features

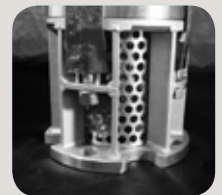
- 100% SUS 304 stainless steel inside out
- Resistant to sand
- Resistant to aggressive water
- Discharge casing with threaded connection. Flange optional
- Shaft made from SUS 410 stainless steel
- Suction strainer to prevent clogging

Product Range

1. 6" Stainless Steel Casting Submersible Borehole Pump
WK - 06/08/12/15/18 series
2. 8"-12" Stainless Steel Casting Submersible Borehole Pump
WJ - 08/12/15/18/20/21 series
3. 8"-14" Stainless Steel Casting Submersible Borehole Pump
WM - 08/10/14 series



WK-06/08/12/15/18 SERIES SPARE PARTS/APPLICATIONS



Technical Data

- 6" pump size
- Flow: Max. 27m³/h
- Head: Max. 450m
- Max. sand content: 50g/m³
- Liquid Temp.: 0°C to 35°C
- pH values: 6 to 8
- Installation depth: Max. 300m

Applications

- Groundwater intake/water supply
- Municipal and industrial waters supply
- Irrigation/raw water supply
- Dewatering (construction sites, mines)
- Thermal waters, pools, and springs
- Fish farming
- Fountains
- Offshore
- Pressure boosting



NBR Top Ring
Avoid shaft damage when motor starts



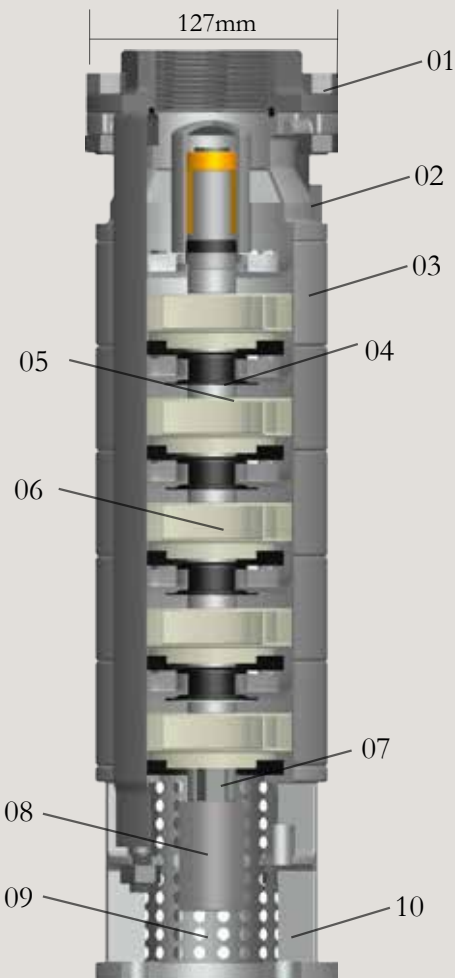
Integrated Welded Impeller
For better performance and fewer breakdowns



Suction Interconnector
The inlet strainer prevents particles over a certain size from entering the pump



NBR Connecting Plate
Abrasion resistant with NBR material and precise design



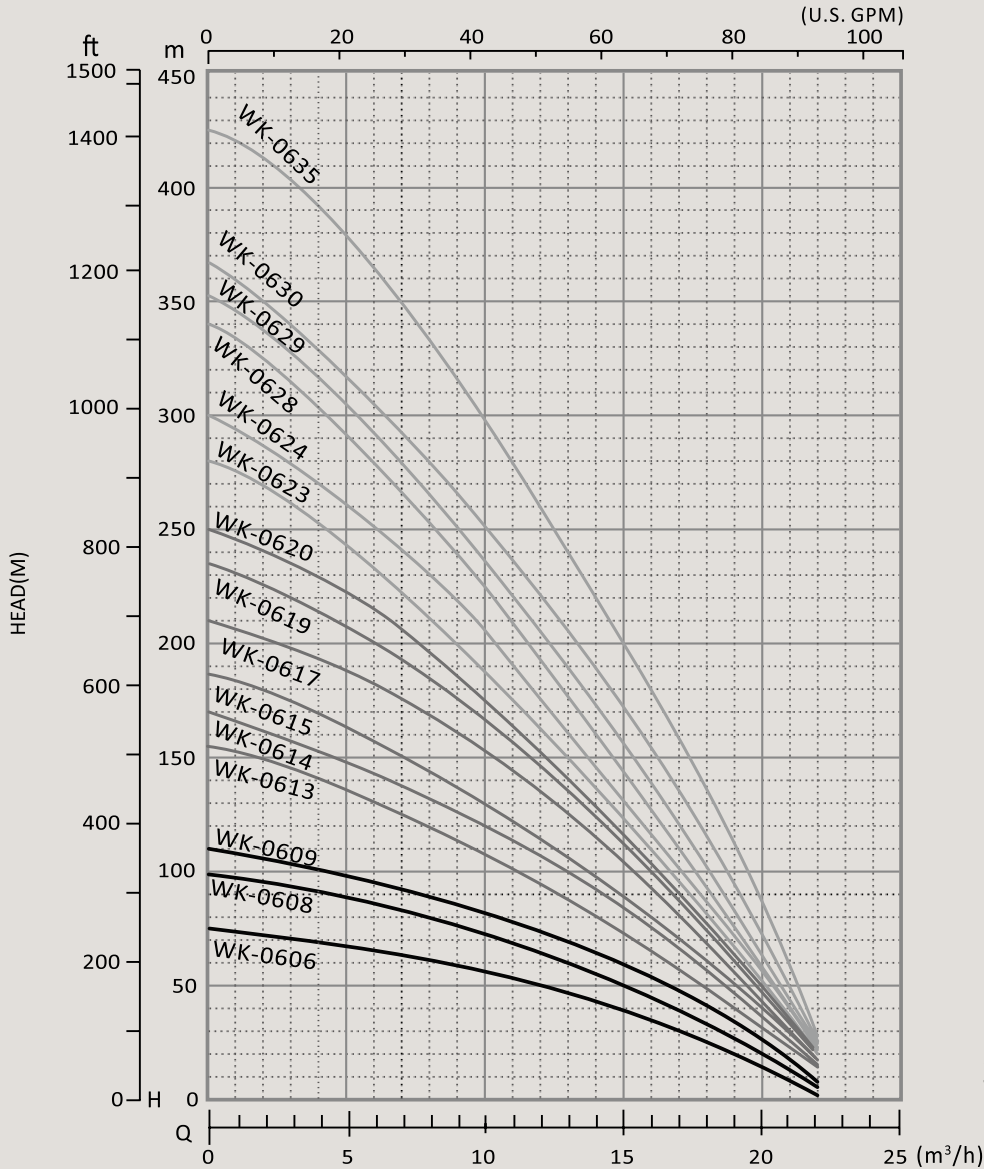
No.	Component	Material
1	Flange	SUS304
2	Dischage Bowl	SUS304
3	Intermediate Chamber	SUS304
4	Neck Ring	NBR
5	Shaft Sleeve	NBR
6	Impeller	SUS304
7	Shaft	SUS410
8	Coupling	SUS410
9	Strainer	SUS304
10	Suction Interconnector	SUS304

WK-06/08/12/15/18 SERIES
FEATURES & CONSTRUCTIONS

WK-06 series / 6 Inch / 50Hz

Specifications & Performance Curve

6

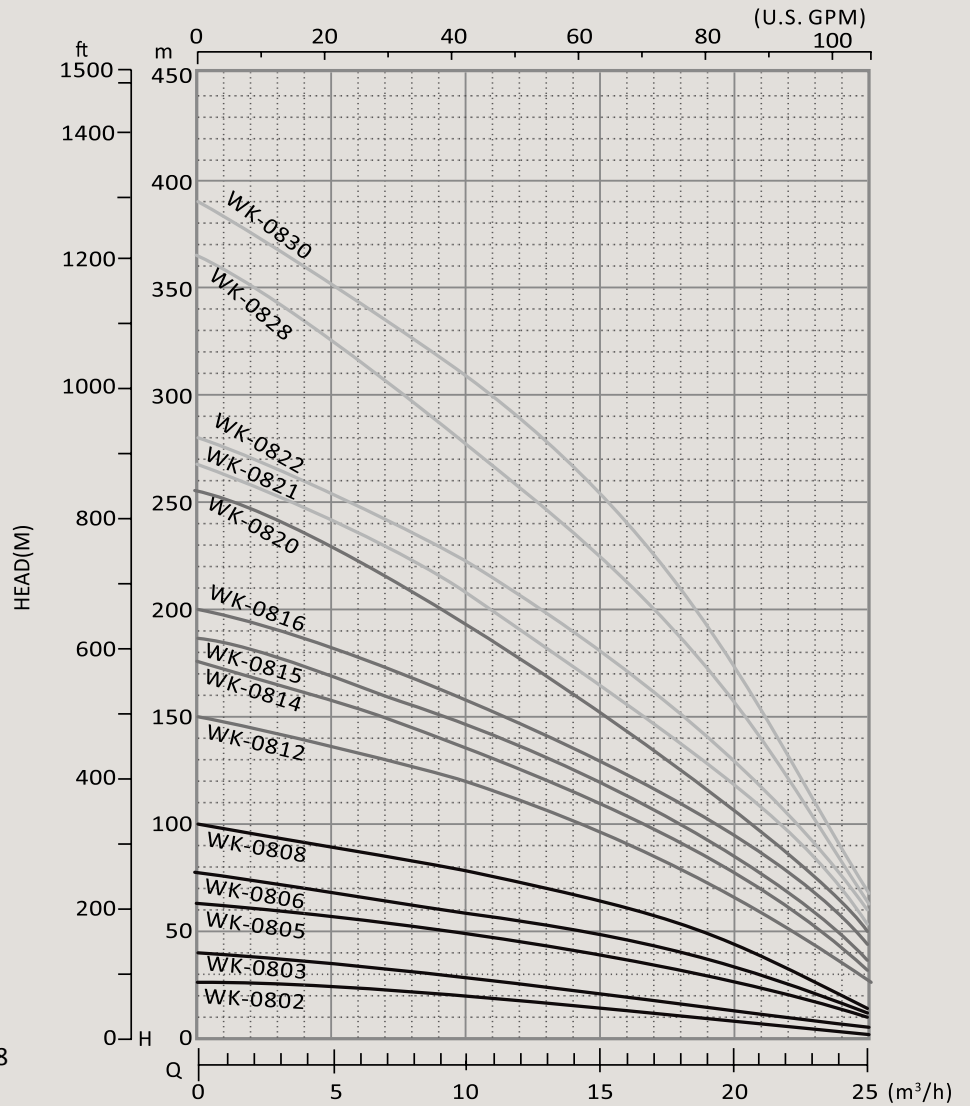


Remarks

1. Standard 6" suction interconnector
2. 4" suction interconnector is optional for WK-0606, 0608, 0609

MODEL	POWER		Stages	CAPACITY							Disch	
	HP	kW		m ³ /hr	0	5	10	11	15	20		23
				GPM	0	22	44	50	66	88		101
			LPM	0	83	167	189	250	333	383		
WK-0606	5	3.7	6	HEAD (m)	75	68	55	50	40	20	5	
WK-0608	7.5	5.5	8		99	88	70	68	50	25	7	
WK-0609	7.5	5.5	9		112	99	80	77	59	30	9	
WK-0613	10	7.5	13		157	132	109	100	75	35	10	
WK-0614	10	7.5	14		170	148	119	110	82	40	11	
WK-0615	12.5	9	15		187	161	132	124	95	45	12	
WK-0617	12.5	9	17		215	189	155	145	110	50	13	2"/
WK-0619	15	11	19		233	201	165	153	118	52	15	2-1/2"/
WK-0620	15	11	20		248	218	178	163	121	53	17	3"
WK-0623	15	11	23		283	245	199	183	135	60	18	
WK-0624	17.5	13	24		299	258	210	192	140	61	19	
WK-0628	20	15	28		341	290	230	213	152	65	20	
WK-0629	20	15	29		353	300	240	220	160	67	22	
WK-0630	20	15	30		366	318	252	235	170	70	25	
WK-0635	25	18.5	35		425	369	300	278	201	82	27	

WK-08 series / 6 Inch / 50Hz



Remarks

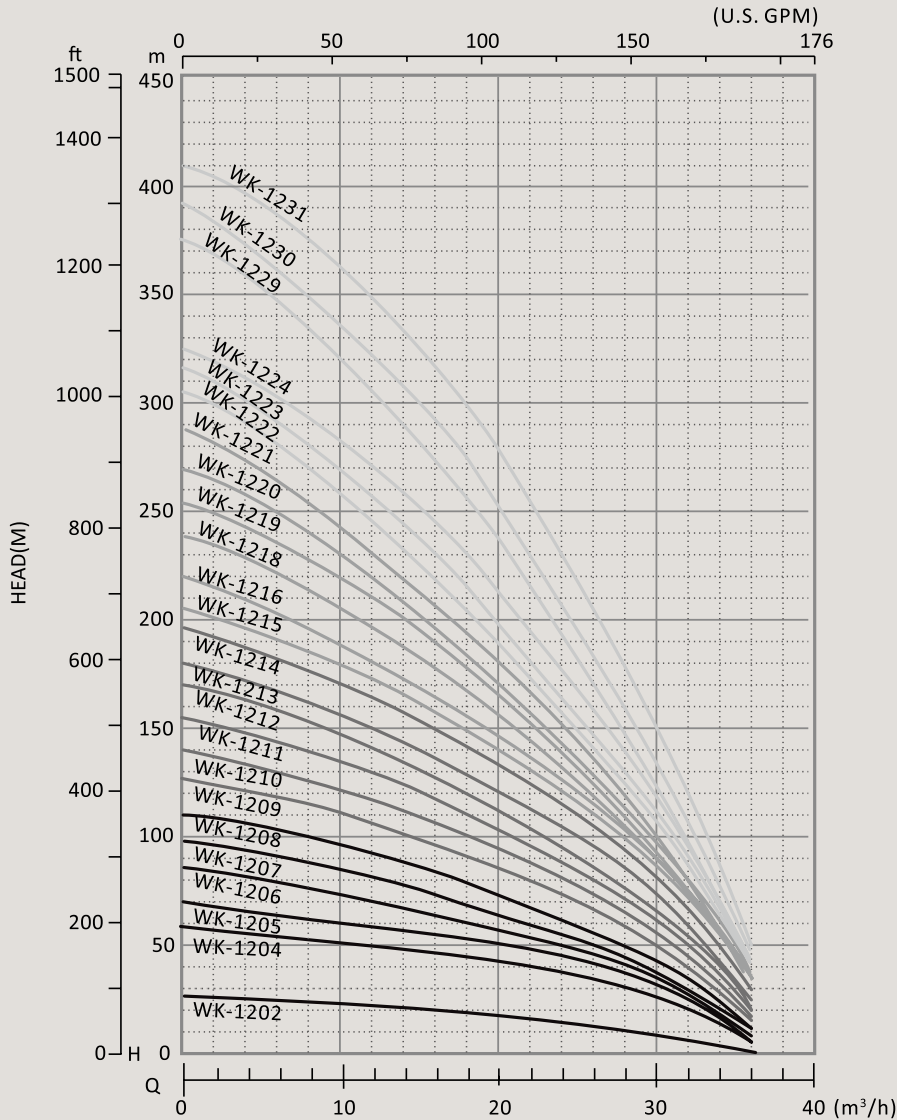
- 1. Standard 6" suction interconnector
- 2. 4" suction interconnector is optional for WK-0802, 0803, 0805, 0806, 0808

MODEL	POWER		Stages	CAPACITY						Disch	
	HP	kW		m³/hr	0	5	10	15	20		25
				GPM	0	22	44	65	88	110	
				LPM	0	83	167	246	333	417	
WK-0802	2	1.5	2		27	22	20	15	10	3	
WK-0803	3	2.2	3		37	32	29	23	15	5	
WK-0805	5	3.7	5		65	59	51	41	27	10	
WK-0806	5	3.7	6		75	69	60	50	32	12	
WK-0808	7.5	5.5	8		100	90	80	67	45	16	
WK-0812	10	7.5	12		147	135	119	99	65	28	
WK-0814	15	11	14	HEAD (m)	174	160	140	116	79	31	2"/ 2-1/2"/ 3"
WK-0815	15	11	15		186	170	150	125	85	37	
WK-0816	15	11	16		197	180	160	133	91	41	
WK-0820	17.5	13	20		253	229	199	159	105	45	
WK-0821	17.5	13	21		264	240	210	170	116	49	
WK-0822	20	15	22		277	252	221	184	129	51	
WK-0828	25	18.5	28		364	329	282	228	150	58	
WK-0830	25	18.5	30		390	352	310	256	171	67	

WK-12 series / 6 Inch / 50Hz

Specifications & Performance Curve

8

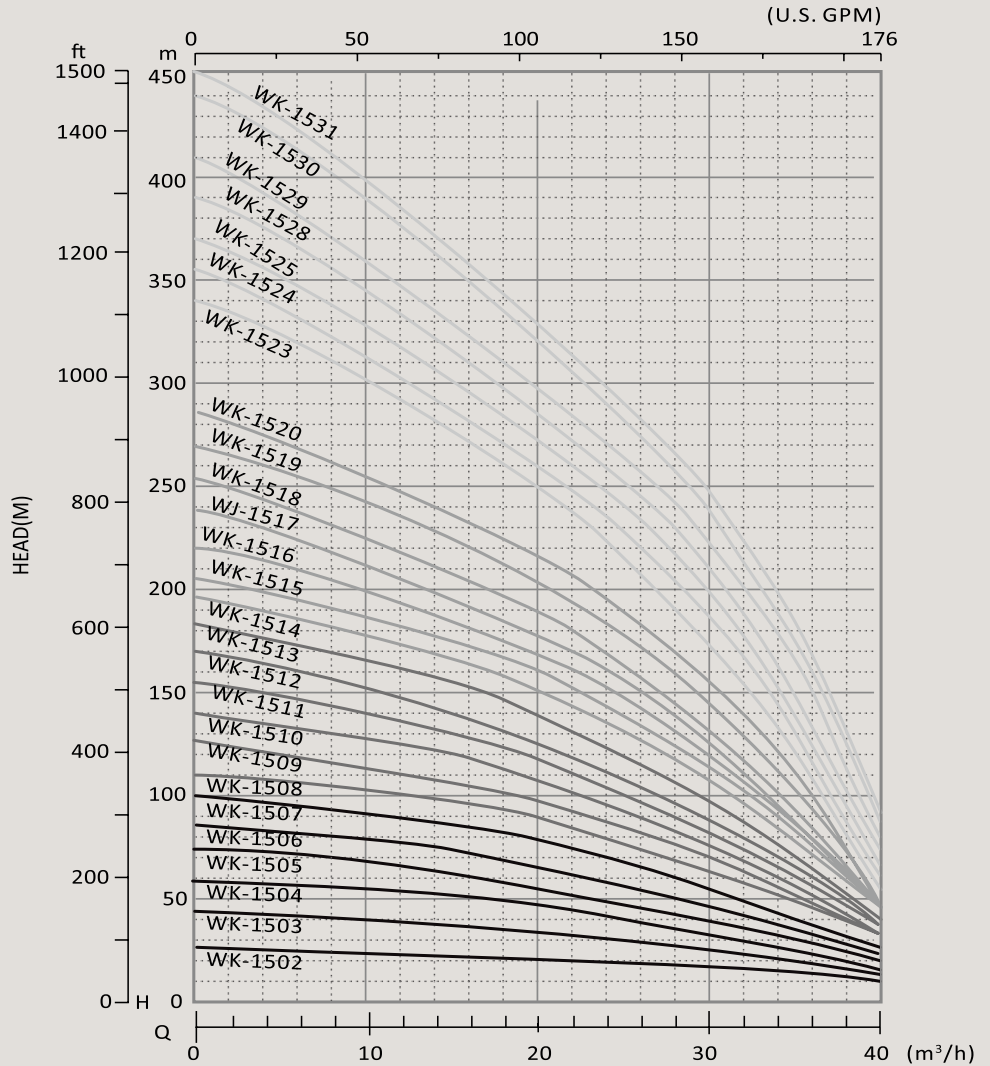


Remarks

1. Standard 6" suction interconnector
2. 4" suction interconnector is optional for WK-1202,1204,1205,1206

MODEL	POWER		Stages	m³/hr	CAPACITY								Disch
	HP	kW			0	5	10	15	20	25	30	36	
				GPM	0	22	44	65	88	110	132	159	
				LPM	0	83	167	246	333	417	500	600	
WK-1202	3	2.2	2	HEAD (m)	27	25	22	20	17	12	9	0	
WK-1204	5	3.7	4		57	53	49	43	38	31	21	8	
WK-1205	7.5	5.5	5		68	63	59	51	45	37	23	8	
WK-1206	7.5	5.5	6		83	78	71	65	58	46	32	10	
WK-1207	10	7.5	7		97	90	81	72	63	50	35	11	
WK-1208	10	7.5	8		111	103	92	82	73	58	40	13	
WK-1209	12.5	9	9		126	119	110	99	85	70	49	19	
WK-1210	12.5	9	10		139	131	120	109	93	75	51	20	
WK-1211	15	11	11		156	148	135	121	105	85	58	21	
WK-1212	15	11	12		167	159	147	131	115	91	62	22	
WK-1213	17.5	13	13		182	171	159	142	125	100	69	25	
WK-1214	17.5	13	14		197	186	170	153	134	108	73	26	2" /
WK-1215	20	15	15		207	194	178	160	140	110	74	28	2-1/2" /
WK-1216	20	15	16		217	204	185	168	145	114	75	29	3"
WK-1218	20	15	18		242	225	205	182	155	121	81	31	
WK-1219	22.5	16.5	19		255	238	215	191	162	125	82	32	
WK-1220	22.5	16.5	20		270	251	229	204	174	135	88	35	
WK-1221	25	18.5	21		285	267	240	212	181	140	92	37	
WK-1222	25	18.5	22		305	286	257	228	192	149	99	38	
WK-1223	30	22	23		315	295	268	249	202	156	105	39	
WK-1224	30	22	24		325	307	279	250	212	168	110	41	
WK-1229	35	26	29		382	360	325	288	242	185	120	42	
WK-1230	35	26	30		398	373	340	301	254	205	138	47	
WK-1231	40	30	31		409	385	351	320	274	221	150	49	

WK-15 series / 6 Inch / 50Hz



Remarks

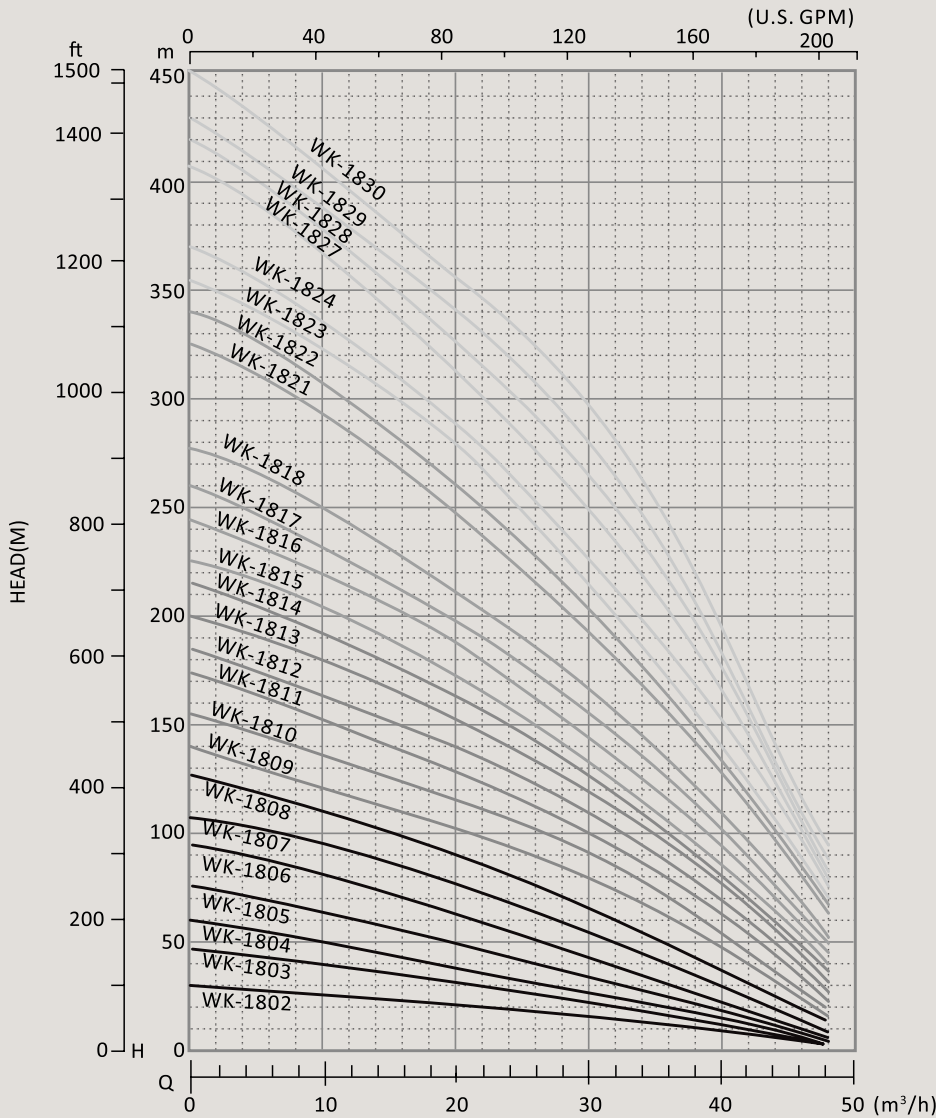
1. Standard 6" suction interconnector
2. 4" suction interconnector is optional for WK-1502,1503,1504.

MODEL	POWER		Stages	CAPACITY												Disch
	HP	kW		m³/hr	0	5	10	15	20	23	25	30	35	40		
				GPM	0	22	44	65	88	100	110	132	154	176		
				LPM	0	83	167	246	333	379	417	500	583	667		
WK-1502	3	2.2	2	HEAD (m)	27	26	23	21	19	18	16	12	8	3		
WK-1503	5	3.7	3		42	40	38	33	30	28	25	20	12	7		
WK-1504	7.5	5.5	4		59	55	51	48	42	40	38	29	20	8		
WK-1505	10	7.5	5		74	69	64	60	53	51	48	38	25	12		
WK-1506	10	7.5	6		88	82	78	71	67	63	58	47	32	14		
WK-1507	12.5	9	7		102	98	90	82	78	73	68	54	36	16		
WK-1508	15	11	8		116	110	102	97	88	83	76	60	41	18		
WK-1509	17.5	13	9		130	122	115	108	99	93	85	68	45	19		
WK-1510	17.5	13	10		143	135	126	118	108	101	92	72	48	21		
WK-1511	20	15	11		154	145	138	129	118	111	102	80	52	23		
WK-1512	20	15	12		168	158	150	140	129	121	111	88	55	25		
WK-1513	20	15	13		182	171	161	151	140	131	120	96	62	26		
WK-1514	22.5	16.5	14		196	185	172	161	150	141	129	100	65	30	2"/	
WK-1515	22.5	16.5	15		210	197	187	173	160	151	139	107	68	32	2-1/2"/	
WK-1516	25	18.5	16		225	211	199	187	170	161	148	114	73	34	3"	
WK-1517	25	18.5	17		240	225	210	198	181	171	159	121	75	35		
WK-1518	27.5	20.5	18		257	241	228	211	191	183	169	131	86	36		
WK-1519	30	22	19		272	257	240	222	205	193	180	140	91	37		
WK-1520	30	22	20		286	269	252	235	217	203	189	150	95	38		
WK-1523	35	26	23		340	319	298	275	250	237	220	175	113	50		
WK-1524	35	26	24		355	331	310	288	262	247	230	185	121	52		
WK-1525	35	26	25		369	345	322	299	273	257	240	195	130	57		
WK-1527	40	30	27		395	370	348	321	295	277	260	210	140	63		
WK-1528	40	30	28		410	385	360	333	308	289	271	220	145	65		
WK-1530	50	37.5	30		440	411	383	356	328	310	290	238	155	67		
WK-1531	50	37.5	31		454	425	397	369	349	320	300	248	161	71		

WK-18 series / 6 Inch / 50Hz

Specifications & Performance Curve

10



Remarks

1. Standard 6" suction interconnector
2. 4" suction interconnector is optional for WK-1802,1803,1804

MODEL	POWER		Stages	CAPACITY								Disch
	HP	kW		m³/hr	0	10	20	27	30	40	48	
				LPM	0	167	333	447	500	667	800	
WK-1802	4	3	2	31	27	21	18	16	9	3		
WK-1803	5	3.7	3	47	39	32	28	23	15	7		
WK-1804	7.5	5.5	4	62	52	45	38	35	21	9		
WK-1805	10	7.5	5	77	66	55	48	42	25	10		
WK-1806	10	7.5	6	92	80	68	58	51	31	11		
WK-1807	12.5	9	7	107	92	79	68	60	36	12		
WK-1808	15	11	8	127	110	95	83	75	48	13		
WK-1809	15	11	9	143	120	103	90	80	50	15		
WK-1810	17.5	13	10	155	133	115	100	90	55	17		
WK-1811	20	15	11	172	150	129	111	100	61	18		
WK-1812	20	15	12	185	161	140	122	111	70	23		
WK-1813	20	15	13	200	175	151	132	121	78	26		
WK-1814	25	18.5	14	216	189	162	142	130	83	28	2"/	
WK-1815	25	18.5	15	228	199	170	149	135	85	30	2-1/2"/	
WK-1816	25	18.5	16	244	212	181	158	145	90	32	3"	
WK-1817	30	22	17	261	228	192	164	150	93	34		
WK-1818	30	22	18	276	242	210	182	165	100	37		
WK-1821	35	26	21	326	290	253	220	203	127	48		
WK-1822	40	30	22	341	302	265	231	213	133	53		
WK-1823	40	30	23	355	317	274	244	226	145	58		
WK-1824	40	30	24	373	330	288	255	238	151	62		
WK-1827	50	37	27	407	360	310	270	250	158	72		
WK-1828	50	37	28	418	370	320	280	260	163	78		
WK-1829	50	37	29	430	389	340	296	271	177	82		
WK-1830	50	37	30	445	403	358	314	291	191	86		

Model	LENGTH	WEIGHT	Model	LENGTH	WEIGHT	Model	LENGTH	WEIGHT	Model	LENGTH	WEIGHT
	mm	KG		mm	KG		mm	KG		mm	KG
WK-0606	519	15.00	WK-1202	348	9.00	WK-1502	348	9.00	WK-1802	348	9.40
WK-0608	614	18.50	WK-1204	462	12.50	WK-1503	405	10.80	WK-1803	405	11.00
WK-0609	662	20.00	WK-1205	519	14.20	WK-1504	462	12.50	WK-1804	462	13.00
WK-0606	510	15.00	WK-1206	576	16.00	WK-1502	339	9.00	WK-1803	396	11.00
WK-0608	605	18.50	WK-1202	339	9.00	WK-1503	396	10.80	WK-1804	453	13.00
WK-0609	653	20.00	WK-1204	453	12.50	WK-1504	453	12.50	WK-1805	510	14.80
WK-0613	843	26.50	WK-1205	510	14.20	WK-1505	510	14.20	WK-1806	567	16.60
WK-0614	890	28.00	WK-1206	567	16.00	WK-1506	567	16.00	WK-1807	624	18.50
WK-0615	938	30.00	WK-1207	624	17.60	WK-1507	624	17.60	WK-1808	681	20.00
WK-0617	1033	33.00	WK-1208	681	19.30	WK-1508	681	19.30	WK-1809	738	22.00
WK-0619	1128	36.00	WK-1209	738	21.00	WK-1509	738	21.00	WK-1810	795	23.80
WK-0620	1175	38.00	WK-1210	795	22.70	WK-1510	795	22.70	WK-1811	852	25.50
WK-0623	1318	43.00	WK-1211	852	24.40	WK-1511	852	24.50	WK-1812	909	27.50
WK-0624	1365	45.00	WK-1212	909	26.00	WK-1512	909	26.00	WK-1813	966	29.00
WK-0628	1555	50.00	WK-1213	966	27.80	WK-1513	966	27.80	WK-1814	1023	31.00
WK-0629	1603	52.00	WK-1214	1023	29.50	WK-1514	1023	29.50	WK-1815	1080	32.80
WK-0630	1650	54.00	WK-1215	1080	31.20	WK-1515	1080	31.20	WK-1816	1137	34.60
WK-0635	1888	62.00	WK-1216	1137	33.00	WK-1516	1137	32.90	WK-1817	1194	36.40
			WK-1218	1251	36.50	WK-1517	1194	34.60	WK-1818	1251	38.00
			WK-1219	1308	38.00	WK-1518	1251	36.30	WK-1821	1422	43.60
			WK-1220	1365	39.70	WK-1519	1308	38.30	WK-1822	1479	45.50
			WK-1221	1422	41.50	WK-1520	1365	40.00	WK-1823	1536	47.00
			WK-1222	1497	43.00	WK-1523	1536	45.00	WK-1824	1593	49.00
			WK-1223	1536	44.80	WK-1524	1593	46.50	WK-1827	1764	55.50
			WK-1224	1593	46.50	WK-1525	1650	48.00	WK-1828	1821	57.00
			WK-1229	1878	55.00	WK-1527	1764	51.50	WK-1829	1878	59.00
			WK-1230	1935	56.70	WK-1528	1821	53.50	WK-1830	1935	61.00
			WK-1231	1992	58.40	WK-1530	1935	56.70			
						WK-1531	1992	58.50			
WK-0802	329	9.00									
WK-0803	377	10.50									
WK-0805	472	13.60									
WK-0806	519	15.00									
WK-0808	614	18.50									
WK-0805	463	13.60									
WK-0806	510	15.00									
WK-0808	605	18.50									
WK-0812	795	23.00									
WK-0814	890	28.00									
WK-0815	938	29.60									
WK-0816	985	31.00									
WK-0820	1175	37.50									
WK-0821	1223	39.00									
WK-0822	1270	40.50									
WK-0828	1555	51.00									
WK-0830	1650	54.00									

WK-06/08/12/15/18 SERIES DIMENSIONS & WEIGHTS

WJ-08/12/15/18/20 SERIES SPARE PARTS/APPLICATIONS



Technical Data

- 8" pump size
- Standard 6" suction interconnector
- Flow: Max. 43m³/h
- Head: Max. 460m
- Max. sand content: 50g/m³
- Liquid Temp.: 0°C to 35°C
- pH values: 6 to 8
- Installation depth: Max. 300m

Applications

- Groundwater intake/water supply
- Municipal and industrial waters supply
- Irrigation/raw water supply
- Dewatering (construction sites, mines)
- Thermal waters, pools, and springs
- Fish farming
- Fountains
- Offshore
- Pressure boosting



NBR Top Ring
Avoid shaft damage when motor starts



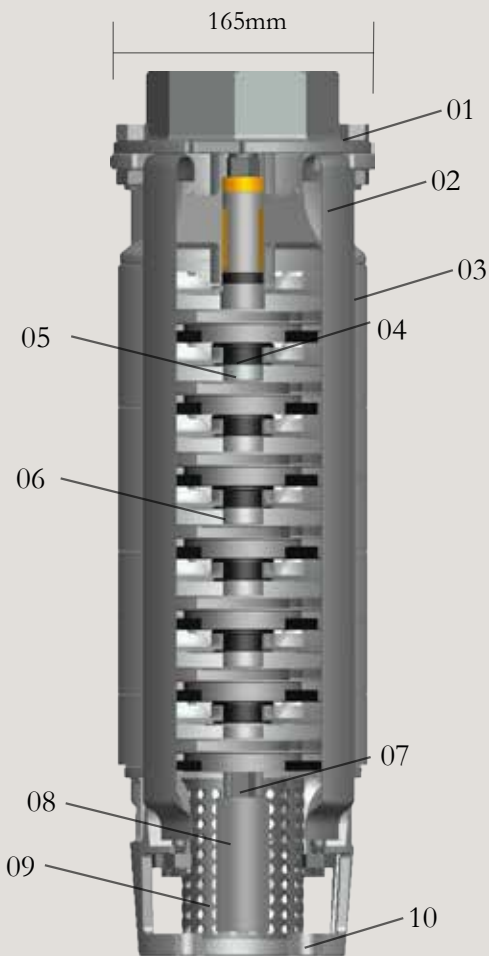
Integrated Welded Impeller
For better performance and fewer breakdowns



Suction Interconnector
The inlet strainer prevents particles over a certain size from entering the pump



NBR Connecting Plate
Abrasion resistant with NBR material and precise design



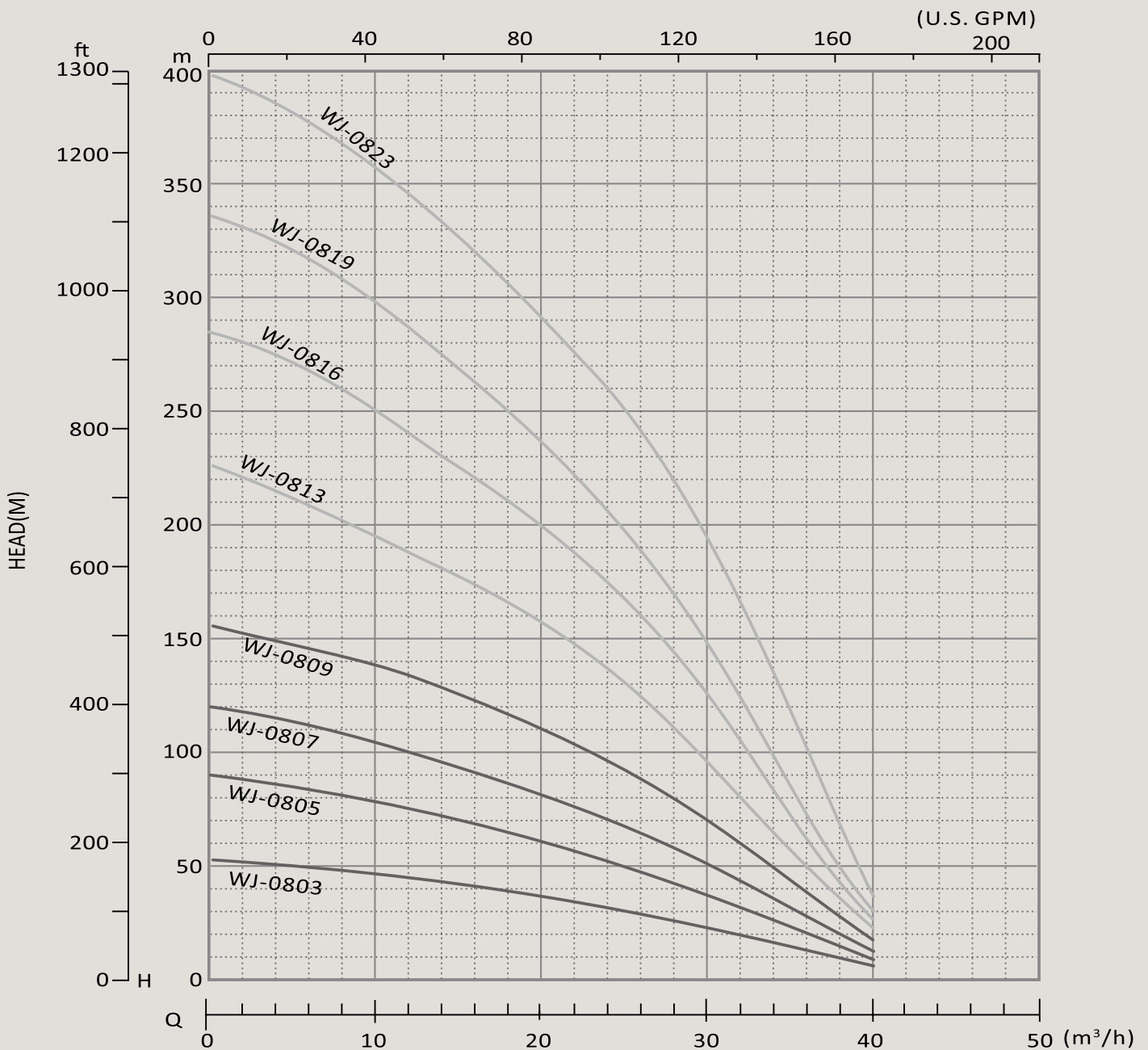
No.	Component	Material
1	Flange	SUS304
2	Dischage Bowl	SUS304
3	Intermediate Chamber	SUS304
4	Neck Ring	NBR
5	Shaft Sleeve	NBR
6	Impeller	SUS304
7	Shaft	SUS410
8	Coupling	SUS410
9	Strainer	SUS304
10	Suction Interconnector	SUS304

WJ-08/12/15/18/20 SERIES
FEATURES & CONSTRUCTIONS

WJ-08 series / 8 Inch / 50Hz

Specifications & Performance Curve

14

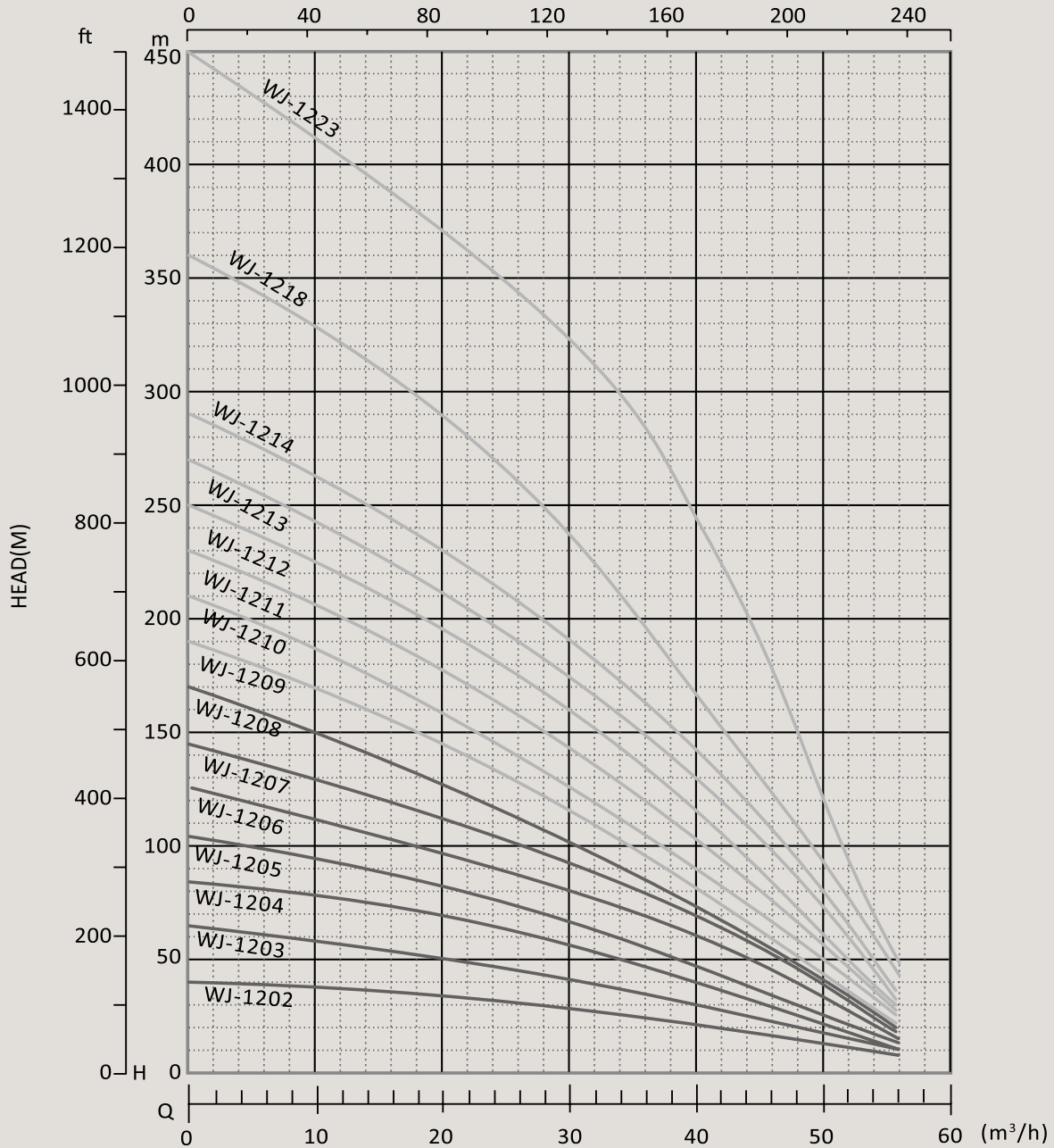


Model	POWER		Stages	CAPACITY						Disch	
	HP	kW		m³/hr	0	10	20	23	30		40
				GPM	0	44	88	100	132	176	
				LPM	0	167	333	379	500	667	
WJ-0803	5	3.7	3	HEAD (m)	54	47	38	34	23	5	3" / 4"
WJ-0805	7.5	5.5	5	90	89	63	60	39	8		
WJ-0807	10	7.5	7	123	106	83	77	50	12		
WJ-0809	15	11	9	160	140	111	104	68	15		
WJ-0813	20	15	13	225	197	160	145	97	18		
WJ-0816	25	18.5	16	285	248	199	180	119	20		
WJ-0819	30	22	19	337	298	240	217	141	25		
WJ-0823	40	30	23	400	354	293	270	189	30		

WJ-12 series / 8 Inch / 50Hz

15

Specifications & Performance Curve

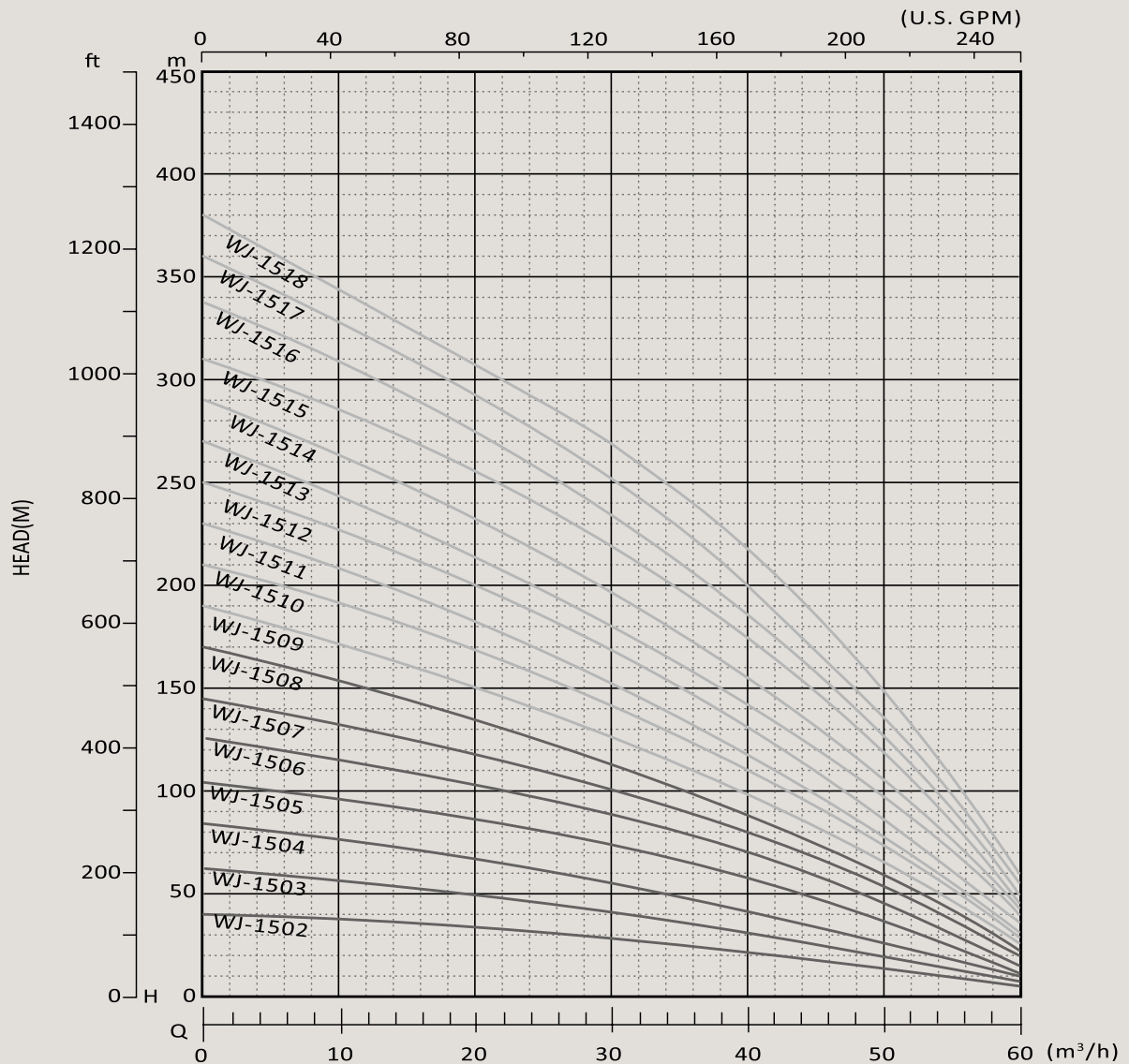


Model	POWER		Stages	CAPACITY											Disch
	HP	kW		m ³ /hr	0	10	20	27	30	40	50	56			
				GPM	0	44	88	120	132	176	220	247			
				LPM	0	167	333	453	500	667	834	934			
WJ-1202	5	3.7	2	HEAD (m)	41	38	33	29	28	21	15	9			
WJ-1203	7.5	5.5	3		62	56	49	43	40	30	18	11			
WJ-1204	10	7.5	4		82.5	73	63	55	50	37	22	16			
WJ-1205	10	7.5	5		101	90	79	67	63	46	27	17			
WJ-1206	15	11	6		122	110	95	83	68	57	30	19			
WJ-1207	15	11	7		144	129	112	97	92	67	37	20			
WJ-1208	17.5	13	8		165	149	128	112	103	75	41	21			
WJ-1209	20	15	9		187	167	146	127	119	85	47	23	3" / 4"		
WJ-1210	22.5	16.5	10		208	188	161	138	132	95	50	24			
WJ-1211	25	18.5	11		228	205	169	156	147	103	56	27			
WJ-1212	27.5	20.5	12		250	222	196	173	160	111	59	29			
WJ-1213	30	22	13		267	240	210	185	170	120	68	32			
WJ-1214	30	22	14		288	258	224	197	185	130	70	33			
WJ-1218	40	30	18		360	329	292	259	247	175	90	40			
WJ-1223	50	37.5	23		460	410	368	331	317	247	120	48			

WJ-15 series / 8 Inch / 50Hz

Specifications & Performance Curve

16

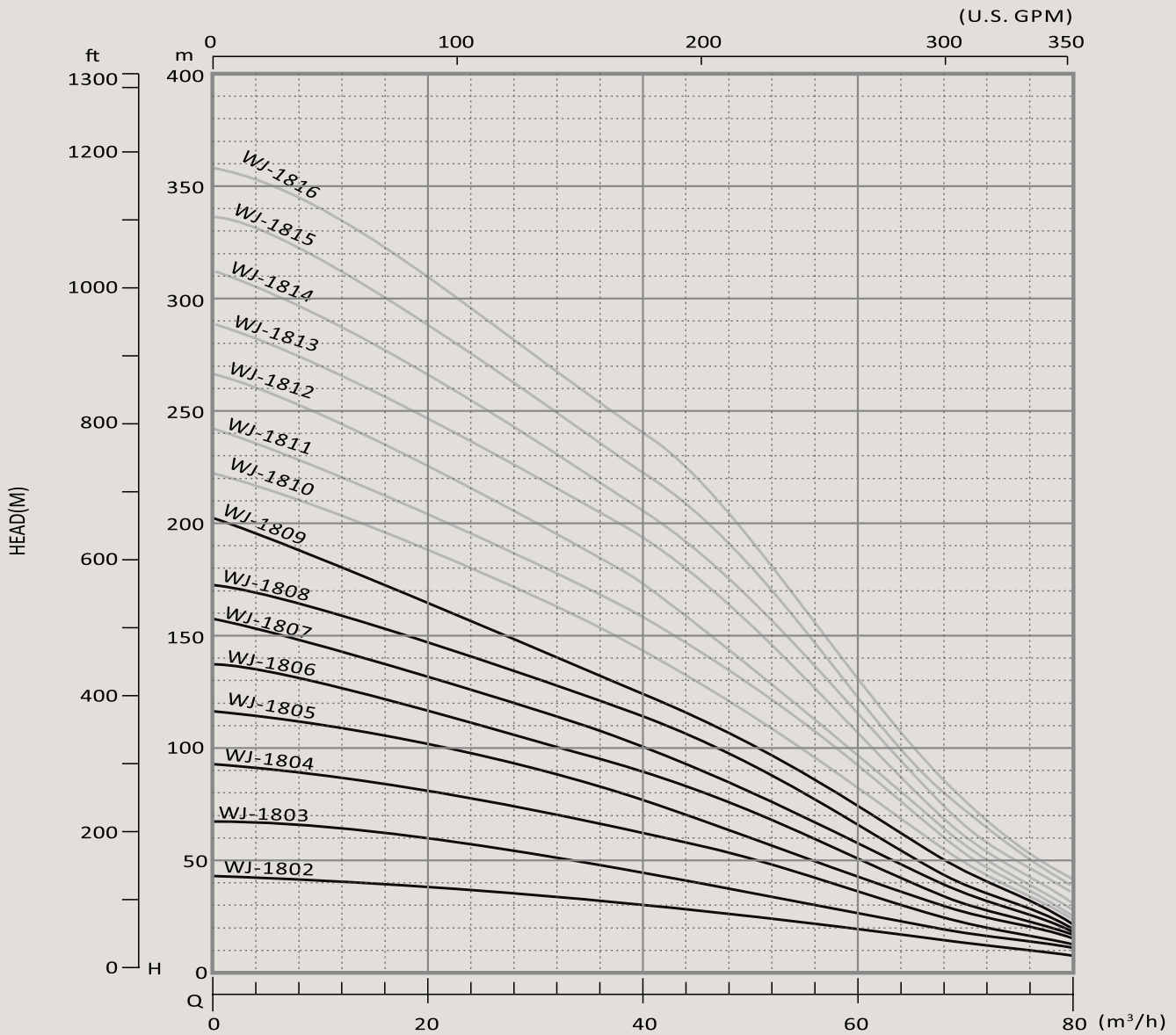


Model	POWER		Stages	CAPACITY										Disch
	HP	kW		m³/hr	0	10	20	30	34	40	50	60		
					GPM	0	44	88	132	150	176	220	264	
				LPM	0	167	333	500	567	667	834	1000		
WJ-1502	5	3.7	2		41	38	33	29	27	22	13	4		
WJ-1503	7.5	5.5	3		62	57	50	42	40	33	22	10		
WJ-1504	10	7.5	4		82.5	75	66	56	53	45	30	12		
WJ-1505	12.5	9	5		107	96	87	73	70	58	38	15		
WJ-1506	15	11	6		127.5	116	102	88	83	70	46	17		
WJ-1507	17.5	13	7		146	131	118	100	93	78	50	19		
WJ-1508	20	15	8		167	150	132	117	107	91	59	20		
WJ-1509	22.5	16.5	9		185	168	149	128	118	100	65	25		
WJ-1510	25	18.5	10	HEAD (m)	206	187	168	145	134	115	75	28	3" / 4"	
WJ-1511	27.5	20.5	11		225	205	183	158	146	123	80	31		
WJ-1512	30	22	12		250	228	203	177	164	138	88	33		
WJ-1513	35	26	13		268	245	221	192	179	150	98	36		
WJ-1514	35	26	14		290	265	239	210	196	165	103	40		
WJ-1515	40	30	15		310	283	255	224	210	178	112	45		
WJ-1516	40	30	16		333	303	272	238	223	190	122	50		
WJ-1517	45	33.5	17		357	332	289	252	235	201	130	53		
WJ-1518	50	37.5	18		380	345	310	270	253	220	147	59		

WJ-18 series / 8 Inch / 50Hz

17

Specifications & Performance Curve

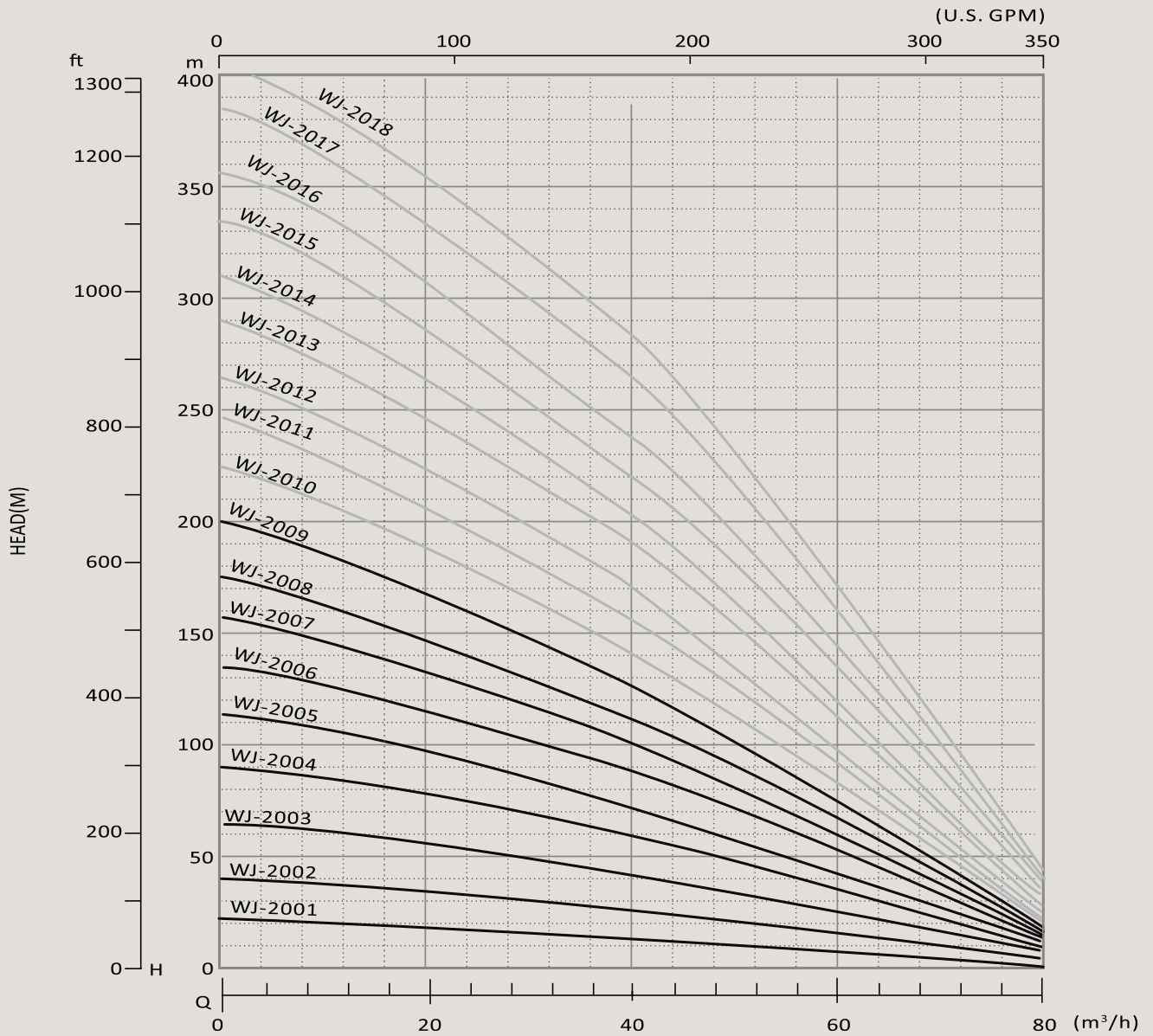


Model	POWER		Stages	CAPACITY					Disch	
	HP	kW		m³/hr	0	20	41	60		80
				GPM	0	88	180	264		352
				LPM	0	333	680	1000	1334	
WJ-1802	7.5	5.5	2	HEAD (m)	42	34	25	15	4	3" / 4"
WJ-1803	10	7.5	3	67	58	43	28	8		
WJ-1804	12.5	9	4	91	78	61	38	10		
WJ-1805	15	11	5	114	96	73	43	15		
WJ-1806	17.5	13	6	134	112	87	52	18		
WJ-1807	20	15	7	154	128	97	58	19		
WJ-1808	25	18.5	8	174	143	108	63	20		
WJ-1809	30	20	9	196	162	121	68	22		
WJ-1810	35	26	10	220	183	140	75	24		
WJ-1811	35	26	11	241	201	154	82	25		
WJ-1812	40	30	12	265	220	170	89	26		
WJ-1813	40	30	13	286	240	187	95	27		
WJ-1814	50	37.5	14	312	263	203	102	28		
WJ-1815	50	37.5	15	334	284	219	109	30		
WJ-1816	50	37.5	16	354	303	243	118	30		

WJ-20 series / 8 Inch / 50Hz

Specifications & Performance Curve

18



Model	POWER		Stages	CAPACITY					Disch	
	HP	kW		m³/hr	0	20	43	60		80
				GPM	0	88	190	264	352	
				LPM	0	333	718	1000	1334	
WJ-2001	5	3.7	1	HEAD (m)	21	19	13	8	2	
WJ-2002	7.5	5.5	2		42	35	25	18	3	
WJ-2003	10	7.5	3		52	44	40	25	5	
WJ-2004	15	11	4		88	76	58	38	8	
WJ-2005	17.5	13	5		106	90	68	44	10	
WJ-2006	20	15	6		132	112	85	56	13	
WJ-2007	25	18.5	7		167	132	101	68	17	
WJ-2008	25	18.5	8		176	150	113	74	18	
WJ-2009	30	22	9		200	170	128	85	20	
WJ-2010	35	26	10		227	190	143	97	21	3" / 4"
WJ-2011	40	30	11		248	209	158	105	23	
WJ-2012	40	30	12		267	238	175	114	25	
WJ-2013	50	37.5	13		288	248	190	125	27	
WJ-2014	50	37.5	14		310	268	207	140	30	
WJ-2015	50	37.5	15		334	288	223	150	32	
WJ-2016	60	45	16		362	310	236	160	34	
WJ-2017	60	45	17		383	330	253	168	36	
WJ-2018	60	45	18		408	350	271	183	40	

Model	LENGTH mm	WEIGHT KG
WJ-0803	359	14.00
WJ-0805	454	18.30
WJ-0807	549	23.50
WJ-0809	644	28.00
WJ-0813	834	36.50
WJ-0816	977	44.00
WJ-0819	1119	49.50
WJ-0823	1309	59.00

Model	LENGTH mm	WEIGHT KG
WJ-1202	330	12.00
WJ-1203	387	14.00
WJ-1204	444	17.00
WJ-1205	501	20.00
WJ-1206	558	22.00
WJ-1207	615	24.00
WJ-1208	672	27.00
WJ-1209	729	30.00
WJ-1210	786	32.00
WJ-1211	843	34.00
WJ-1212	900	36.00
WJ-1213	957	38.00
WJ-1214	1014	40.00
WJ-1218	1242	49.00
WJ-1223	1527	60.00

Model	LENGTH mm	WEIGHT KG
WJ-1502	330	12.00
WJ-1503	387	15.00
WJ-1504	444	17.00
WJ-1505	501	19.50
WJ-1506	558	23.00
WJ-1507	615	25.00
WJ-1508	672	27.00
WJ-1509	729	30.00
WJ-1510	786	32.00
WJ-1511	843	34.00
WJ-1512	900	36.00
WJ-1513	957	38.00
WJ-1514	1014	40.00
WJ-1515	1071	42.00
WJ-1516	1128	44.00
WJ-1517	1185	47.00
WJ-1518	1242	49.00

Model	LENGTH mm	WEIGHT KG
WJ-1802	340	12.00
WJ-1803	400	15.00
WJ-1804	460	17.00
WJ-1805	520	20.00
WJ-1806	580	22.00
WJ-1807	640	24.00
WJ-1808	700	27.00
WJ-1809	760	30.00
WJ-1810	820	32.00
WJ-1811	880	35.00
WJ-1812	940	38.00
WJ-1813	1000	41.00
WJ-1814	1060	43.00
WJ-1815	1120	45.00
WJ-1816	1180	48.00

Model	LENGTH mm	WEIGHT KG
WJ-2001	280	9.00
WJ-2002	340	12.00
WJ-2003	400	15.00
WJ-2004	460	17.00
WJ-2005	520	20.00
WJ-2006	580	22.00
WJ-2007	640	24.00
WJ-2008	700	27.00
WJ-2009	760	30.00
WJ-2010	820	32.00
WJ-2011	880	35.00
WJ-2012	940	38.00
WJ-2013	1000	40.00
WJ-2014	1060	42.00
WJ-2015	1120	45.00
WJ-2016	1180	47.00
WJ-2017	1240	50.00
WJ-2018	1300	53.00

WJ-08/12/15/18/20 SERIES DIMENSIONS & WEIGHTS

WJ-21 SERIES SPARE PARTS/APPLICATIONS



Technical Data

- 12" pump size
- Standard 8" suction interconnector
- Flow: 68m³/h
- Head: Max. 360m
- Max. sand content: 50g/m³
- Liquid Temp.: 0°C to 35°C
- pH values: 6 to 8
- Installation depth: Max. 300m

Applications

- Groundwater intake/water supply
- Municipal and industrial waters supply
- Irrigation/raw water supply
- Dewatering (construction sites, mines)
- Thermal waters, pools, and springs
- Fish farming
- Fountains
- Offshore
- Pressure boosting



Entire SUS 304 Made
SUS 304 stainless steel inside out makes the pump very resistant to corrosion



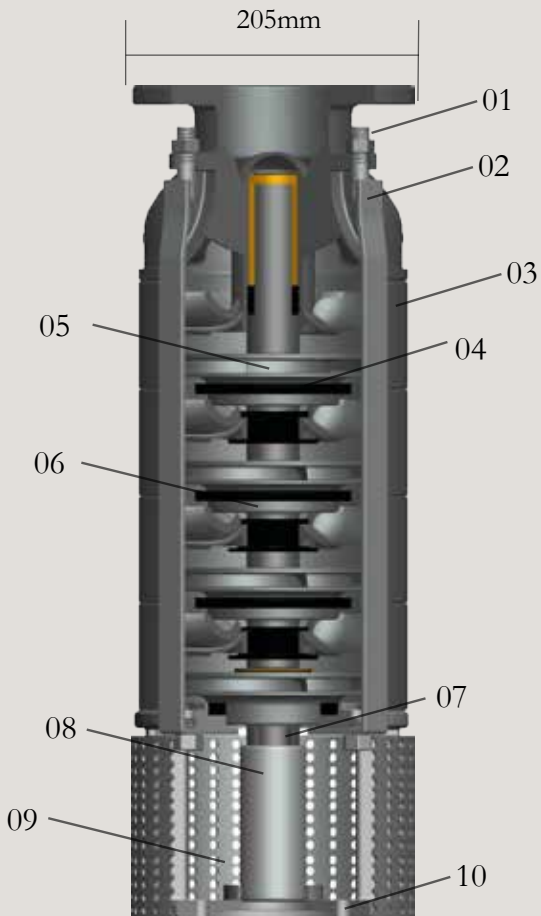
SS casted Impeller
Abrasion resistant with optimised hydraulics



SUS 410 Shaft
Strong, stainless-steel quality



Suction Interconnector
The inlet strainer is available



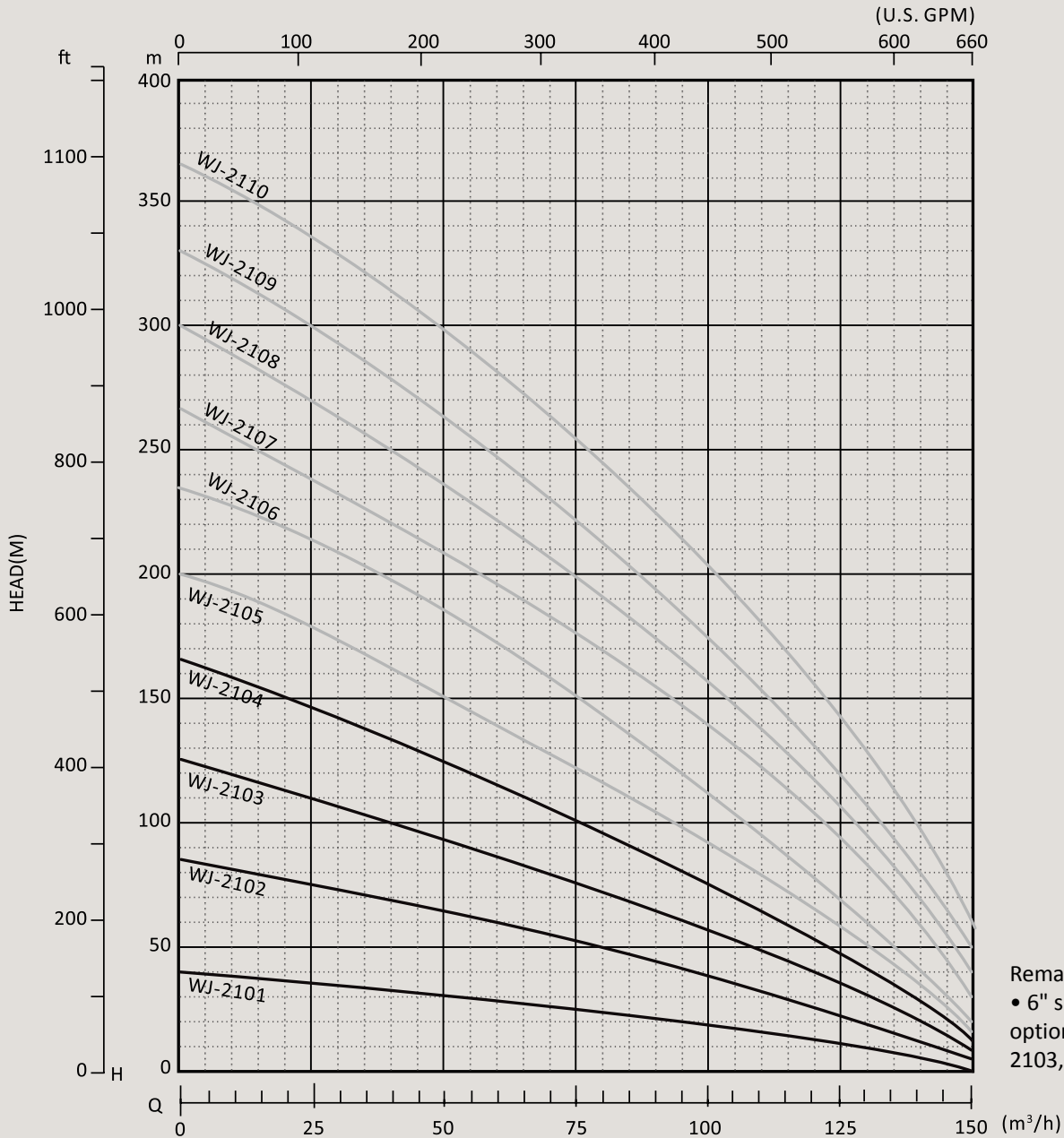
No.	Component	Material
1	Flange	SUS304
2	Dischage Bowl	SUS304
3	Intermediate Chamber	SUS304
4	Neck Ring	NBR
5	Shaft Sleeve	NBR
6	Impeller	SUS304
7	Shaft	SUS410
8	Coupling	SUS410
9	Strainer	SUS304
10	Suction Interconnector	SUS304

WJ-21 SERIES
FEATURES & CONSTRUCTIONS

WJ-21 series / 12 Inch / 50Hz

Specifications & Performance Curve

22



Model	POWER		Stages	CAPACITY								Disch	
	HP	kW		m ³ /hr	0	25	50	68	75	100	125		150
					GPM	0	110	220	300	330	440		550
				LPM	0	417	834	1137	1250	1667	2084	2501	
WJ-2101	10	7.5	1	HEAD (m)	41	36	30	26	23	17	9	0	
WJ-2102	20	15	2	83	73	61	52	50	36	21	7		
WJ-2103	30	22.5	3	124	108	92	80	75	55	32	9		
WJ-2104	40	30	4	165	146	123	108	100	73	43	10		
WJ-2105	50	37.5	5	200	177	150	130	121	89	52	12	4" 10K	
WJ-2106	60	45	6	233	208	180	160	150	110	64	16	Flange	
WJ-2107	75	55	7	265	238	209	185	175	135	83	27		
WJ-2108	100	75	8	300	270	238	213	200	159	110	38		
WJ-2109	120	90	9	335	300	268	243	228	185	130	49		
WJ-2110	140	105	10	365	330	293	265	254	210	145	60		

Model	LENGTH	WEIGHT
	mm	KG
WJ-2101	413	31
WJ-2102	496	38.7
WJ-2103	579	46.4
WJ-2104	662	54.1
WJ-2105	745	61.8
WJ-2106	828	69.5
WJ-2107	911	77.2
WJ-2108	994	84.9
WJ-2109	1077	92.6
WJ-2110	1160	100.3

WJ-21 SERIES
DIMENSIONS & WEIGHTS

WM-08 SERIES SPARE PARTS/APPLICATIONS



Technical Data

- 8" or 10" pump size
- Standard 8" suction interconnector
- Flow: 59m³/h
- Head: Max. 280m
- Max. sand content: 50g/m³
- Liquid Temp.: 0°C to 35°C
- pH values: 6 to 8
- Installation depth: Max. 200m

Applications

- Groundwater intake/water supply
- Municipal and industrial waters supply
- Irrigation/raw water supply
- Dewatering (construction sites, mines)
- Thermal waters, pools, and springs
- Fish farming
- Fountains
- Offshore
- Pressure boosting



Entire SUS 304 Made
SUS 304 stainless steel inside out makes the pump very resistant to corrosion.



SS casted Impeller
Abrasion resistant with optimised hydraulics.

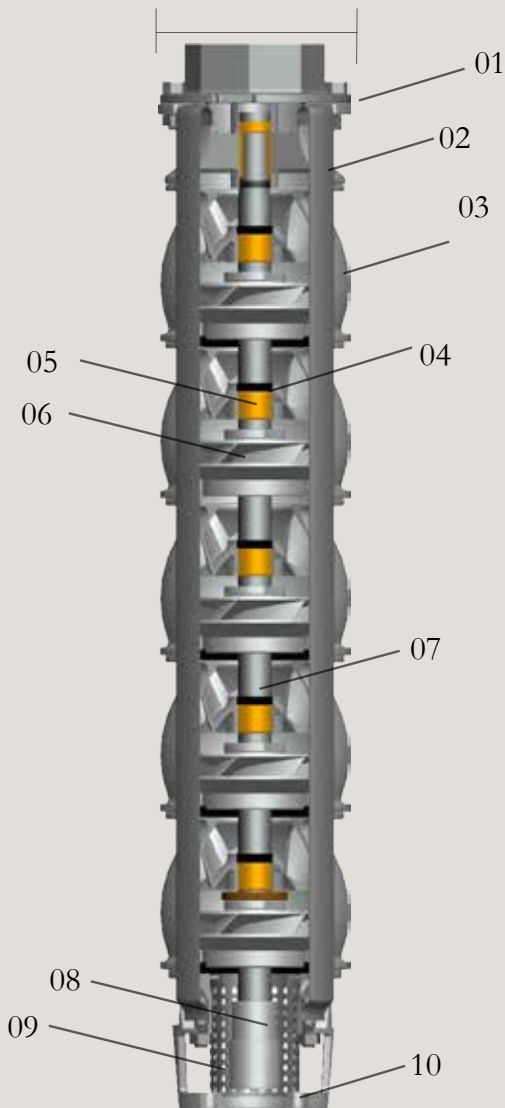


Intermediate Chamber
Optimized hydraulic and mechanical design.



Suction Interconnector
The inlet strainer is available.

175mm for 8" pump
210mm for 10" pump



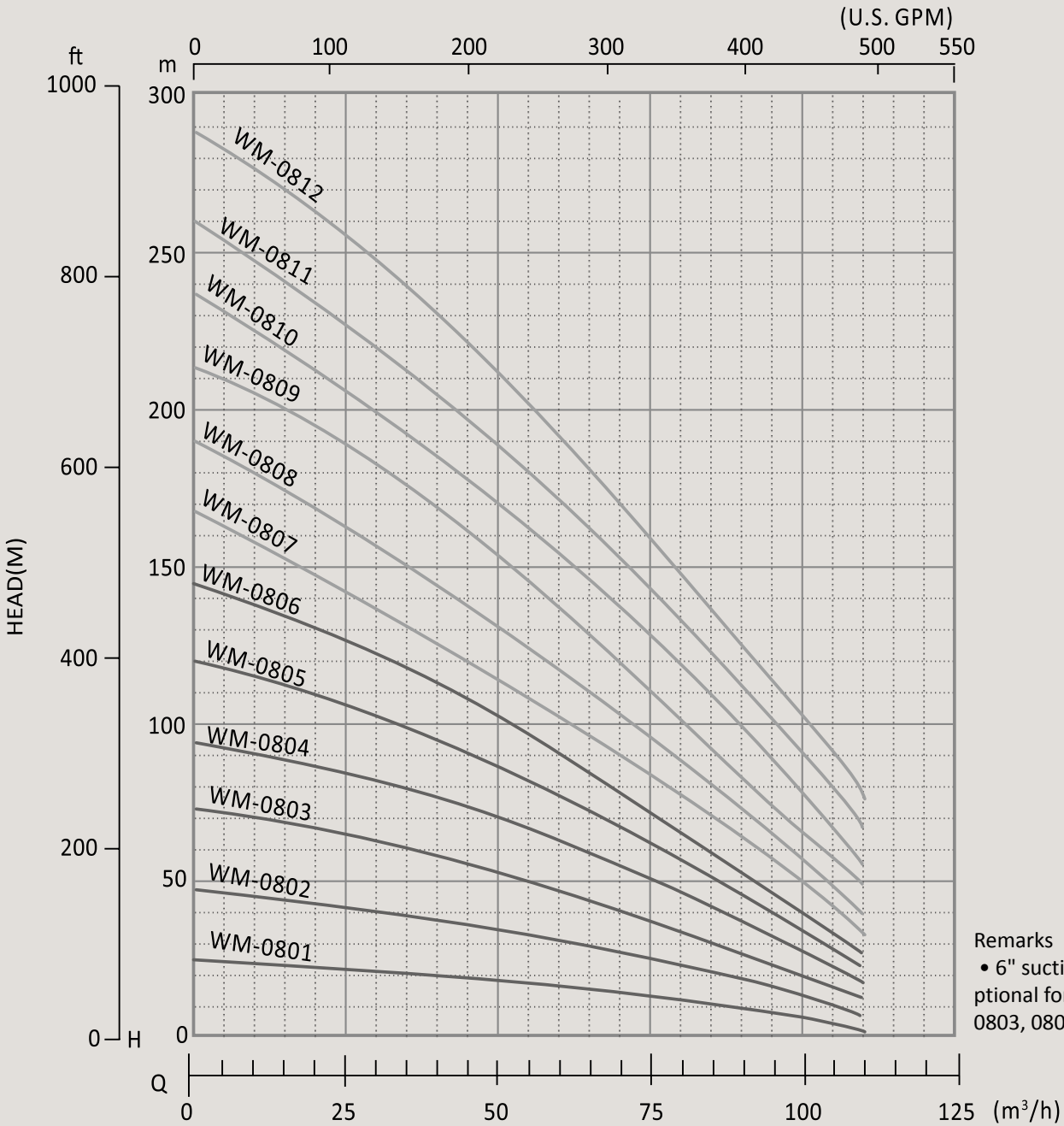
No.	Component	Material
1	Flange	SUS304
2	Dischage Bowl	SUS304
3	Intermediate Chamber	SUS304
4	Neck Ring	NBR
5	Shaft Sleeve	NBR
6	Impeller	SUS304
7	Shaft	SUS410
8	Coupling	SUS410
9	Strainer	SUS304
10	Suction Interconnector	SUS304

WM-08 SERIES FEATURES & CONSTRUCTIONS

WM-08 series / 8 & 10 Inch / 50Hz

Specifications & Performance Curve

26



Remarks
 • 6" suction interconnector is optional for WM-0801, 0802, 0803, 0804

Model	POWER		Stages	CAPACITY								Disch
	HP	kW		m ³ /hr	0	25	50	59	75	100	110	
				GPM	0	110	220	260	330	440	484	
			LPM	0	417	834	984	1250	1667	1834		
8"	WM-0801	10	7.5	1	25	21	18	16	14	8	3	4"
	WM-0802	15	11	2	48	40	34	32	28	16	8	
	WM-0803	20	15	3	73	63	52	48	41	26	13	
	WM-0804	25	18.5	4	95	82	69	64	55	32	18	
	WM-0805	30	22	5	118	102	86	78	68	39	22	
10"	WM-0806	40	30	6	143	123	103	94	80	47	27	
	WM-0807	45	33.5	7	166	142	118	109	92	53	33	
	WM-0808	55	42	8	191	155	137	126	108	65	40	
	WM-0809	60	45	9	214	186	154	142	120	73	49	
	WM-0810	70	53	10	237	204	170	157	134	83	58	
	WM-0811	75	55	11	262	223	187	170	146	92	67	
	WM-0812	75	55	12	283	245	203	185	157	100	76	

	Model	LENGTH	WEIGHT
		mm	KG
8"	WM-0801	320	18
	WM-0802	440	25
	WM-0803	560	33
	WM-0804	680	40
	WM-0805	800	47
	WM-0806	920	54
	WM-0807	1164	64
10"	WM-0808	1286	71
	WM-0809	1408	78
	WM-0810	1530	85
	WM-0811	1652	93
	WM-0812	1774	100

WM-08 SERIES
DIMENSIONS & WEIGHTS

WM-10 SERIES SPARE PARTS/APPLICATIONS



Technical Data

- 10" pump size
- Standard 8" suction interconnector
- Flow: 100m³/h
- Head: Max. 375m
- Max. sand content: 50g/m³
- Liquid Temp.: 0°C to 35°C
- pH values: 6 to 8
- Installation depth: Max. 250m

Applications

- Groundwater intake/water supply
- Municipal and industrial waters supply
- Irrigation/raw water supply
- Dewatering (construction sites, mines)
- Thermal waters, pools, and springs
- Fish farming
- Fountains
- Offshore
- Pressure boosting



Entire SUS 304 Made
SUS 304 stainless steel inside out makes the pump very resistant to corrosion.



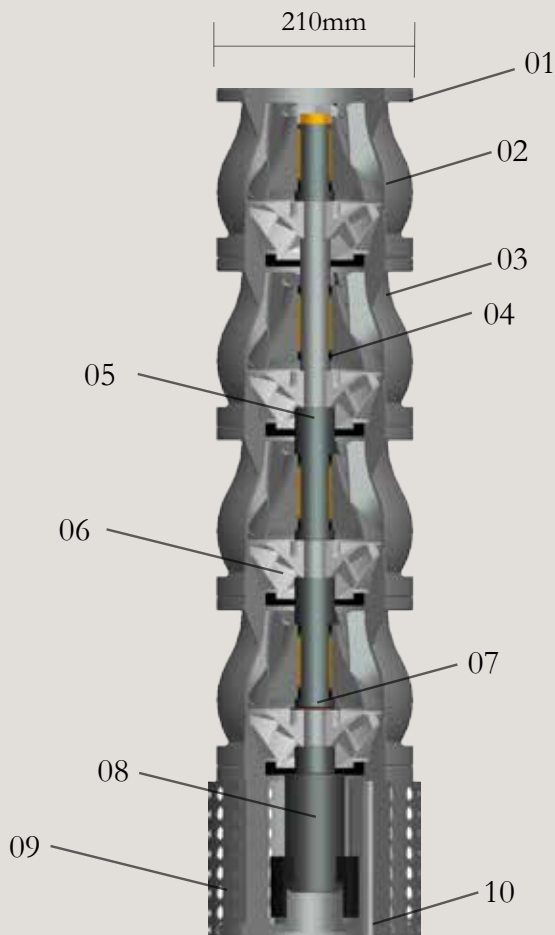
SS casted Impeller
Abrasion resistant with optimised hydraulics.



Intermediate Chamber
Optimized hydraulic and mechanical design.



Suction Interconnector
The inlet strainer is available.



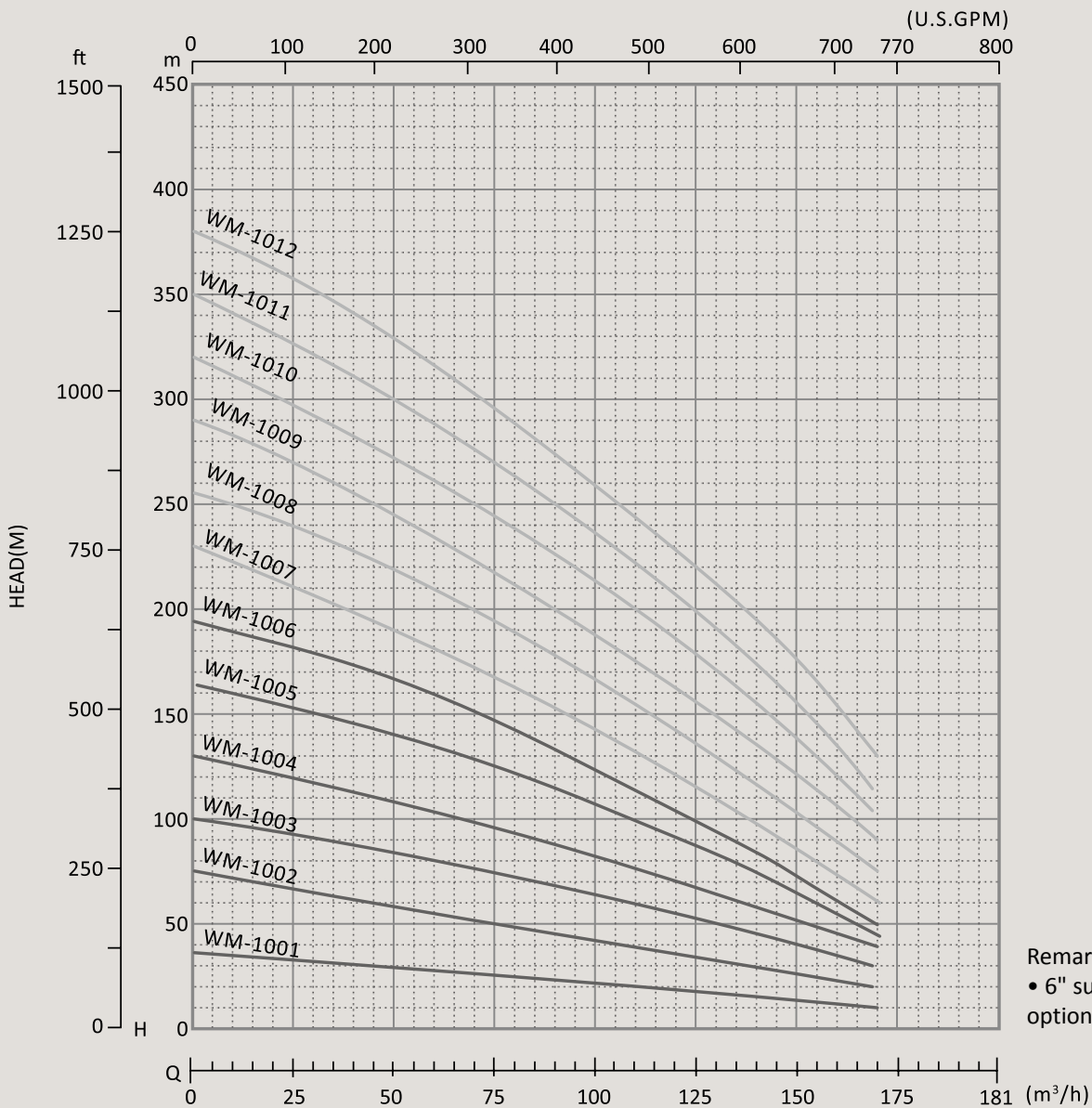
No.	Component	Material
1	Flange Adapter	SUS304
2	Discharge Bowl	SUS304
3	Intermediate Chamber	SUS304
4	Neck Ring	NBR
5	Shaft Sleeve	NBR
6	Impeller	SUS304
7	Shaft	SUS410
8	Coupling	SUS410
9	Strainer	SUS304
10	Suction Interconnector	SUS304

WM-10 SERIES FEATURES & CONSTRUCTIONS

WM-10 series / 10 Inch / 50Hz

Specifications & Performance Curve

30



Model	POWER		Stages	CAPACITY									Disch
	HP	kW		m ³ /hr	0	25	50	75	100	125	150	170	
				GPM	0	110	220	330	440	550	660	749	
				LPM	0	417	834	1250	1667	2084	2501	2834	
WM-1001	15	11	1	HEAD (m)	35	31	28	25	21	18	13	8	
WM-1002	25	18.5	2		68	63	57	50	44	37	28	19	
WM-1003	40	30	3		102	93	85	77	67	55	42	30	
WM-1004	50	37.5	4		132	120	109	98	88	73	57	37	
WM-1005	60	45	5		163	150	138	123	108	89	68	42	
WM-1006	75	55	6		193	180	167	148	129	108	80	50	5"
WM-1007	85	64	7		227	210	192	170	149	123	95	59	Flange
WM-1008	100	75	8		258	240	220	197	170	143	110	75	
WM-1009	110	82.5	9		288	268	248	221	190	158	121	90	
WM-1010	120	90	10		318	297	273	246	211	175	137	103	
WM-1011	140	105	11		347	324	299	270	235	197	151	111	
WM-1012	150	110	12		377	352	323	291	255	215	168	124	

Model	LENGTH	WEIGHT
	mm	KG
WM-1001	478	36
WM-1002	648	54
WM-1003	818	72
WM-1004	988	90
WM-1005	1158	108
WM-1006	1328	126
WM-1007	1498	144
WM-1008	1668	162
WM-1009	1838	180
WM-1010	2008	198
WM-1011	2178	216
WM-1012	2348	234

WM-10 SERIES
DIMENSIONS & WEIGHTS

WM-14 SERIES SPARE PARTS/APPLICATIONS



Technical Data

- 14" pump size
- Standard 8" suction interconnector
- Flow: 177m³/h
- Head: Max. 260m
- Max. sand content: 50g/m³
- Liquid Temp.: 0°C to 35°C
- pH values: 6 to 8
- Installation depth: Max. 150m

Applications

- Groundwater intake/water supply
- Municipal and industrial waters supply
- Irrigation/raw water supply
- Dewatering (construction sites, mines)
- Thermal waters, pools, and springs
- Fish farming
- Fountains
- Offshore
- Pressure boosting



Entire SUS 304 Made
SUS 304 stainless steel inside out makes the pump very resistant to corrosion.



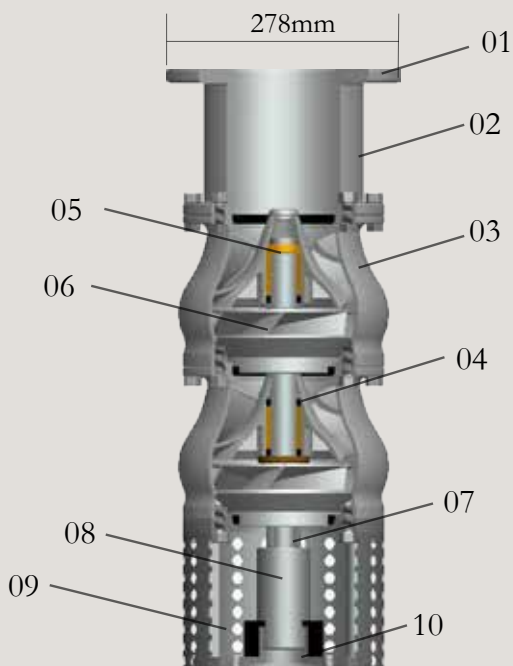
SS casted Impeller
Abrasion resistant with optimised hydraulics.



Intermediate Chamber
Optimized hydraulic and mechanical design.



Suction Interconnector
The inlet strainer prevents particles over a certain size from entering the pump.



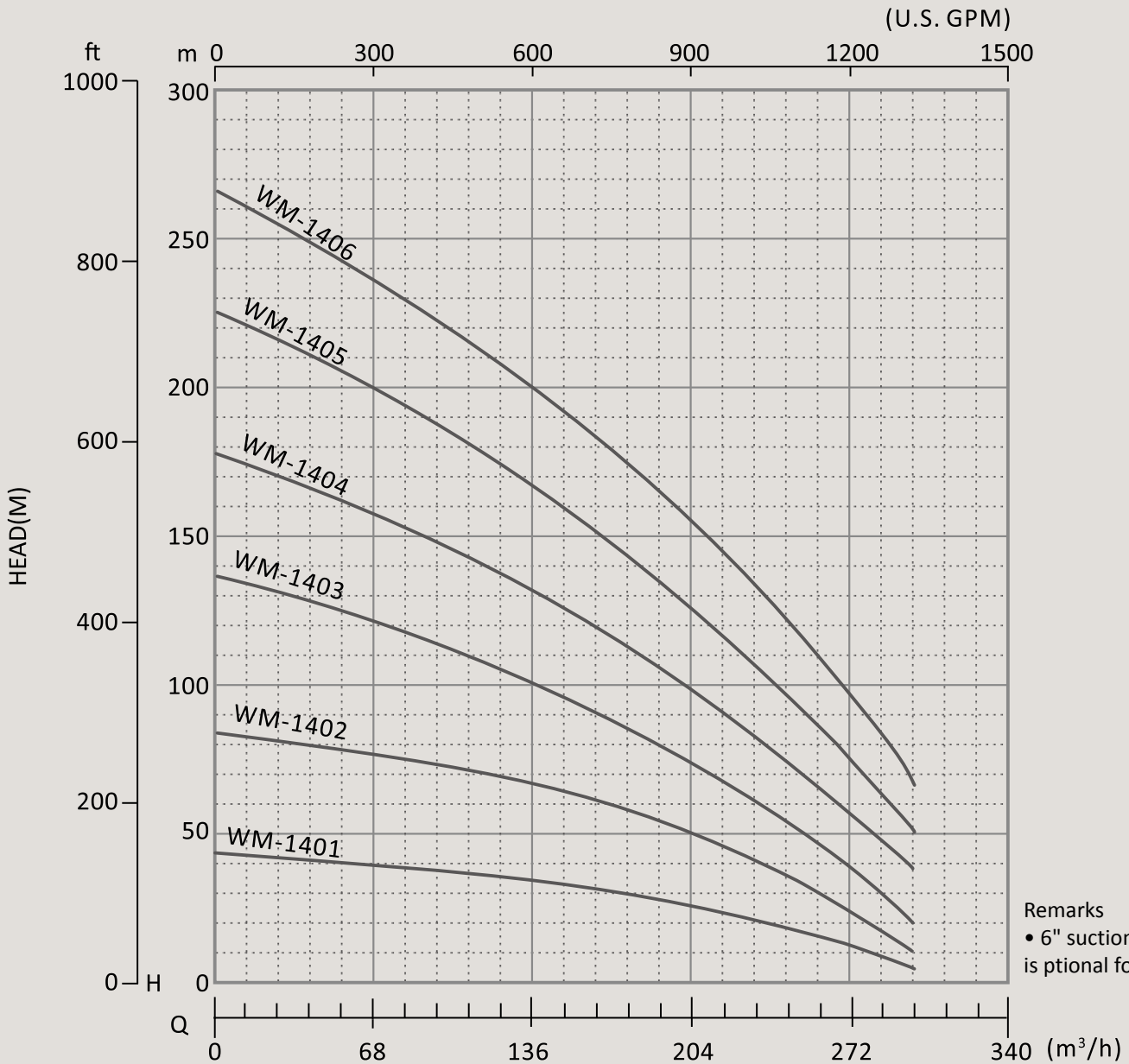
No.	Component	Material
1	Flange Adapter	SUS304
2	Dischage Bowl	SUS304
3	Intermediate Chamber	SUS304
4	Neck Ring	NBR
5	Shaft Sleeve	NBR
6	Impeller	SUS304
7	Shaft	SUS410
8	Coupling	SUS410
9	Strainer	SUS304
10	Suction Interconnector	SUS304

WM-14 SERIES FEATURES & CONSTRUCTIONS

WM-14 series / 14 Inch / 50Hz

Specifications & Performance Curve

34



Remarks
 • 6" suction interconnector is optional for WM-1401

Model	POWER		Stages	CAPACITY							Disch	
	HP	kW		m³/hr	0	68	136	177	204	272		300
					GPM	0	300	600	780	900		1200
				LPM	0	1134	2267	2951	3401	4534	5001	
WM-1401	25	18.5	1	HEAD (m)	43	38	32	28	25	14	8	
WM-1402	50	37.5	2		86	77	64	56	49	28	16	
WM-1403	80	60	3		134	118	98	87	77	43	28	6" 10K Flange
WM-1404	120	90	4		178	158	132	113	100	59	40	
WM-1405	140	105	5		225	198	165	142	125	74	52	
WM-1406	160	120	6		266	235	198	174	153	93	65	

	Model	LENGTH	WEIGHT
		mm	KG
14"	WM-1401	506	44
	WM-1402	682	64
	WM-1403	858	84
	WM-1404	1034	104
	WM-1405	1210	124
	WM-1406	1386	144

WM-14 SERIES
DIMENSIONS & WEIGHTS



KNB CORPORATION

No. 139-18, Chung-Ho Road, Keelung, 20347, Taiwan.

T +886-2-24378720 F +886-2-24373482

www.knb.com.tw sales@knb.com.tw