

KNB CORPORATION

2014

**Side Channel
Blower**



Our Side Channel Blower

are designed to comply with the safety requirements of IEC/UL/CSA and have attained their Type Approval. They also provide a wide field of application facilities wherever the use of air as energy supply leads to optimum results.



PRODUCT FEATURE

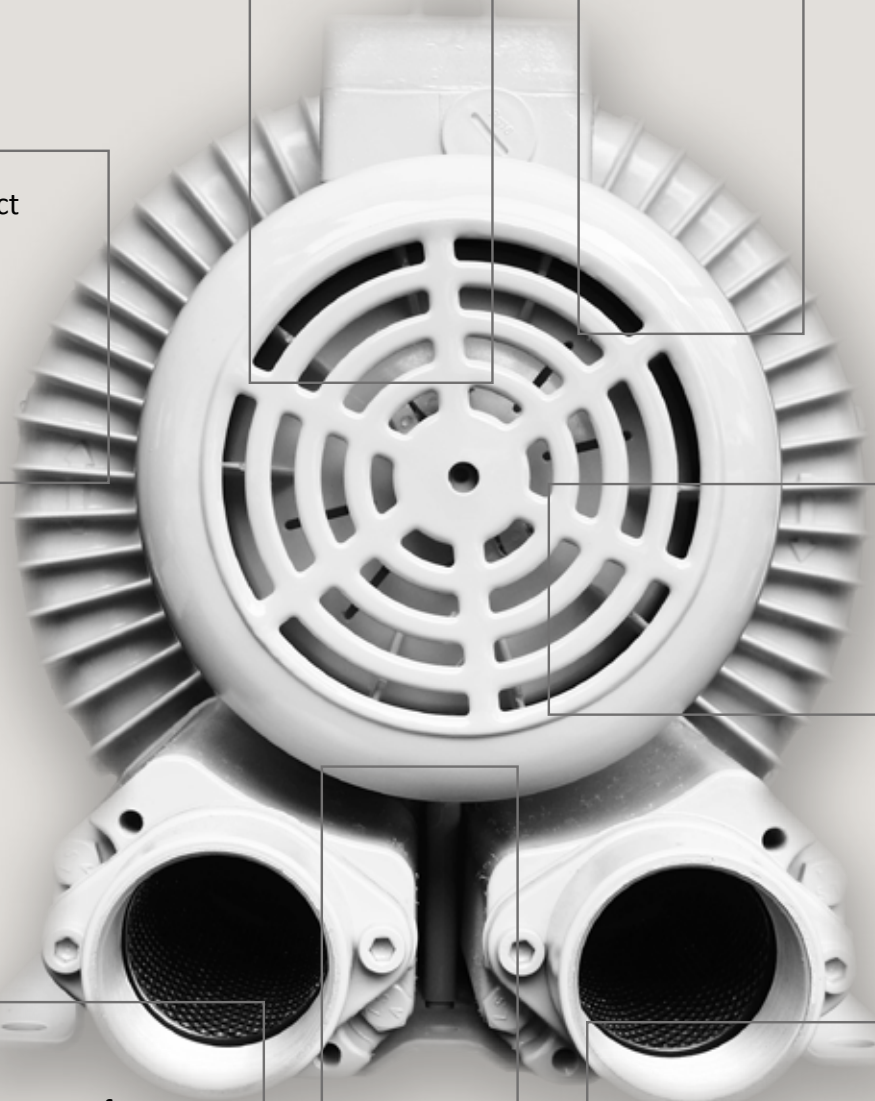
Specifications

- CE Norm: 89/336, 73/23, EN60204-1, EN50081-2, EN50082-2
- Insulation Class: F (155°C)
- Ambient Temp.: 30°C
- Degree of Protection: IP 54 (IP 55 is optional)
- Mounting: Vertical / horizontal
- Voltage Tolerance: $\pm 10\%$ of nominal U

Applications

The fields of application listed below present just a small summary of the wide range of possible use of these units:

1. Pneumatic air tube systems
2. Pneumatic conveying systems
3. Vacuum dealing systems
4. Vacuum transport systems
5. Drying systems
6. Bottle-filling stations
7. Printing machines
8. Dental equipment



Non-contact
operating
pressure
and vacuum
generators

All blower
parts made of
aluminum alloy

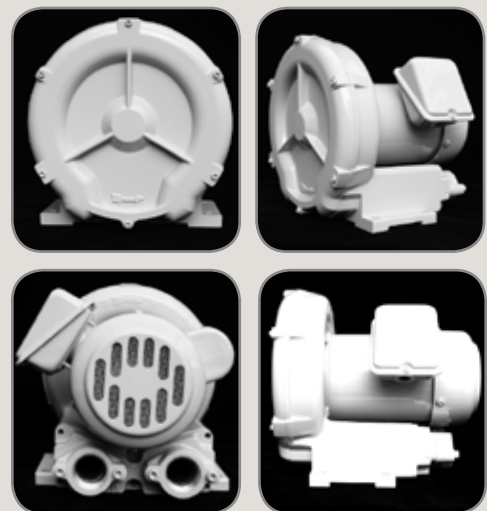
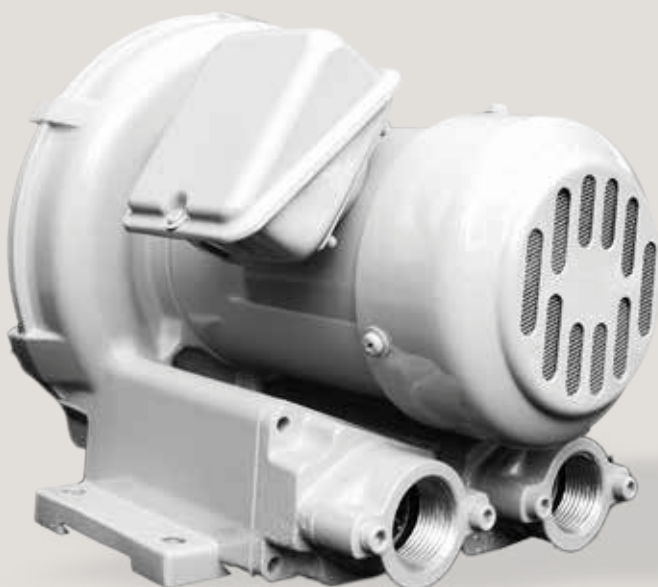
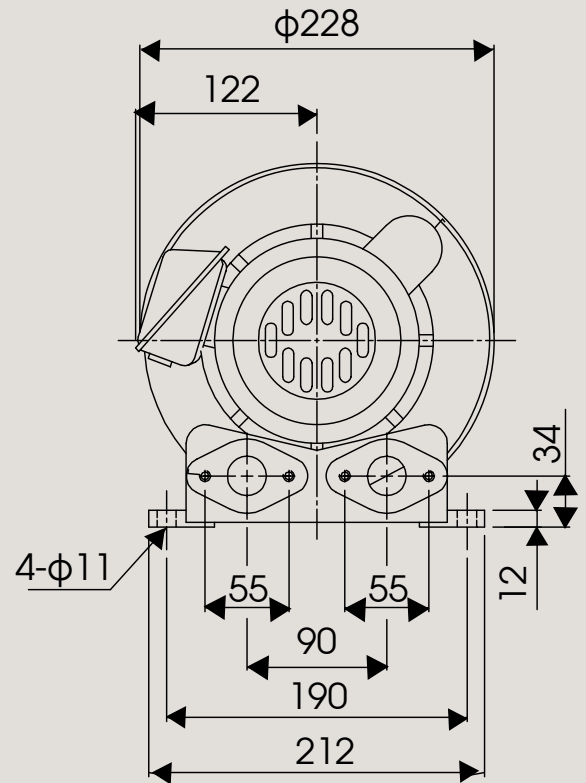
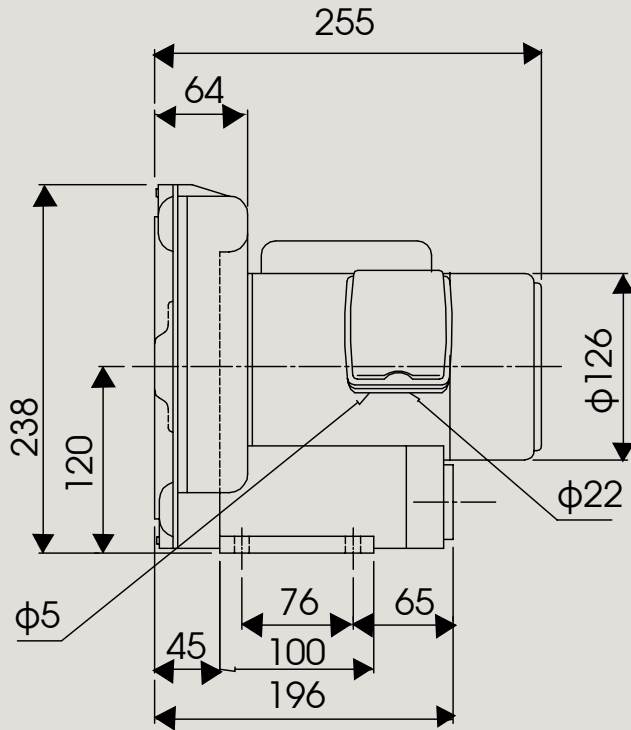
Compact
design

Thermal
protector
is optional

Maintenance-free
& oil-free

Design as customers
requirement is available

Low noise
level

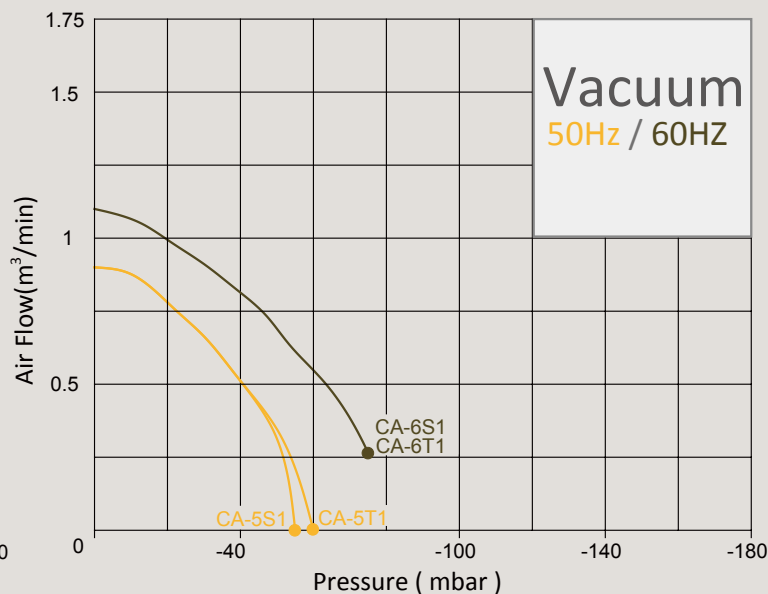
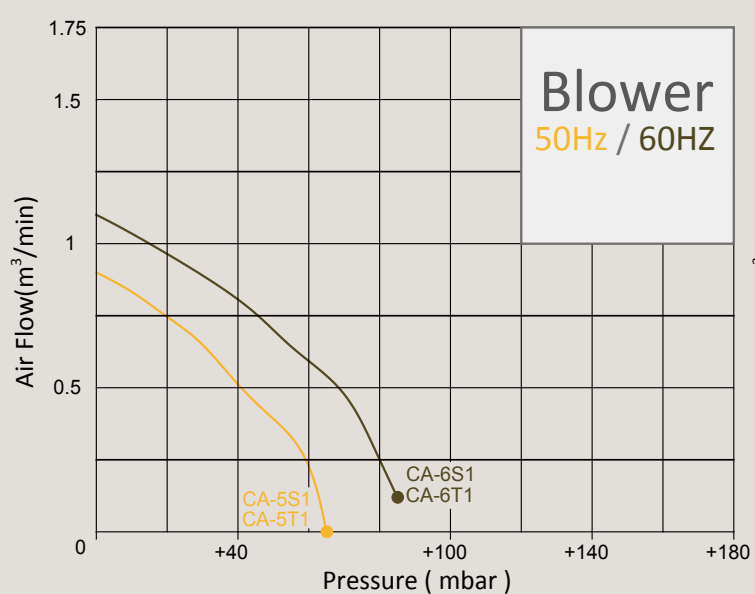


Technical Data

Max Blow - 66 m³/h / +85 mbar

Max Vacuum - 66 m³/h / -55~-75 mbar

Performance Curve



Specifications

CA series (50Hz)

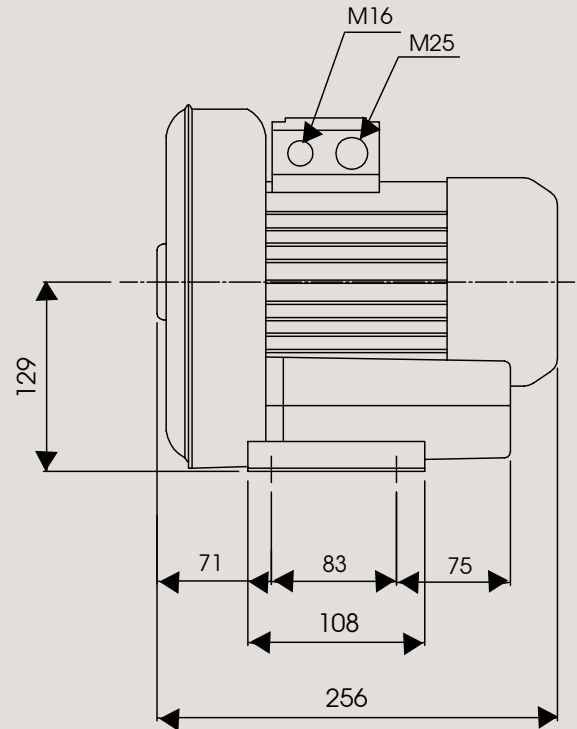
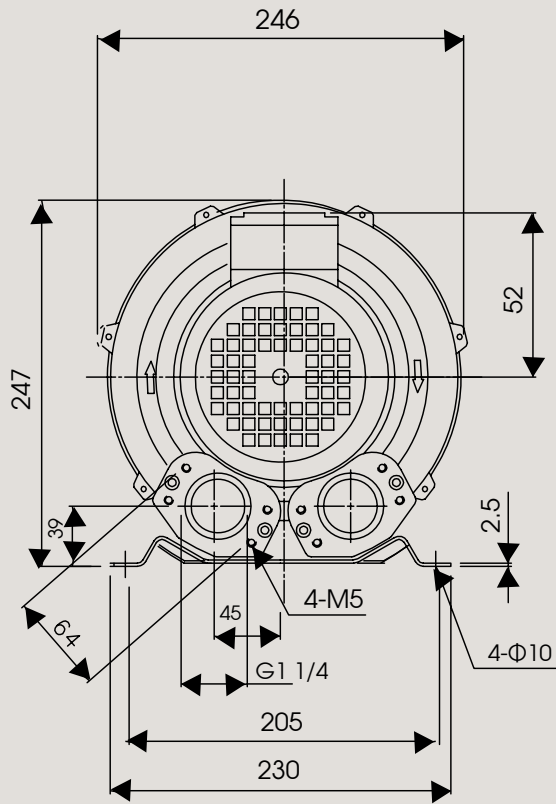
Model	Phase	Maximum performance when used as Blower		Maximum performance when used as Vacuum		Rated output kW	Voltage V	Motor ratings		Noise Level dB(A)	Weight Kg
		m ³ /min	mbar	m ³ /min	mbar			Current when used as Blower Amps	Current when used as Vacuum Amps		
CA-5T1	3	0.9	+65	0.9	-60	0.22	200-240 / 345-416	0.75-0.84 / 0.42-0.48	0.76-0.84 / 0.41-0.47	64	9.8
CA-5S1	1	0.9	+65	0.9	-55	0.22	104-127 / 208-254	2.20-2.40 / 1.10-1.30	2.17-2.40 / 1.11-1.23		

CA series (60Hz)

Model	Phase	Maximum performance when used as Blower		Maximum performance when used as Vacuum		Rated output kW	Voltage V	Motor ratings		Noise Level dB(A)	Weight Kg
		m ³ /min	mbar	m ³ /min	mbar			Current when used as Blower Amps	Current when used as Vacuum Amps		
CA-6T1	3	1.1	+85	1.1	-75	0.28	208-275 / 380-480	0.97-0.93 / 0.55-0.54	0.97-0.93 / 0.53-0.53	65	9.8
CA-6S1	1	1.1	+85	1.1	-75	0.28	104-127 / 208-254	3.3-3.0 / 1.7-1.6	3.17-2.92 / 1.65-1.56		

BLOWER - CB SERIES DIMENSIONS & CONSTRUCTIONS

8

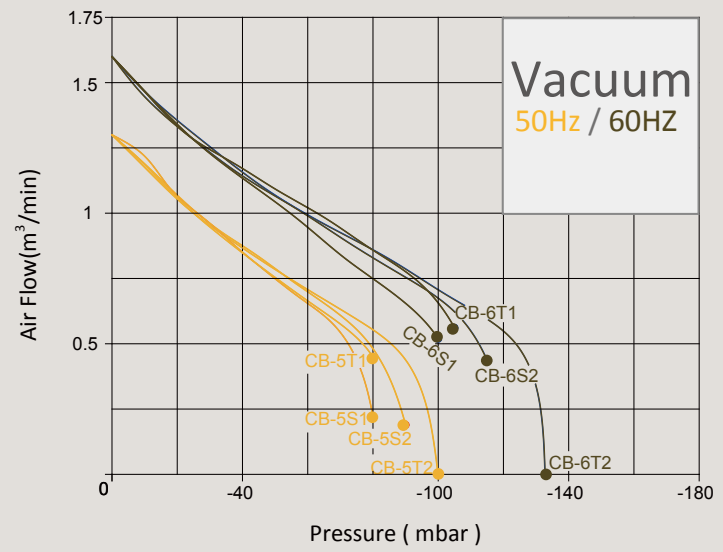
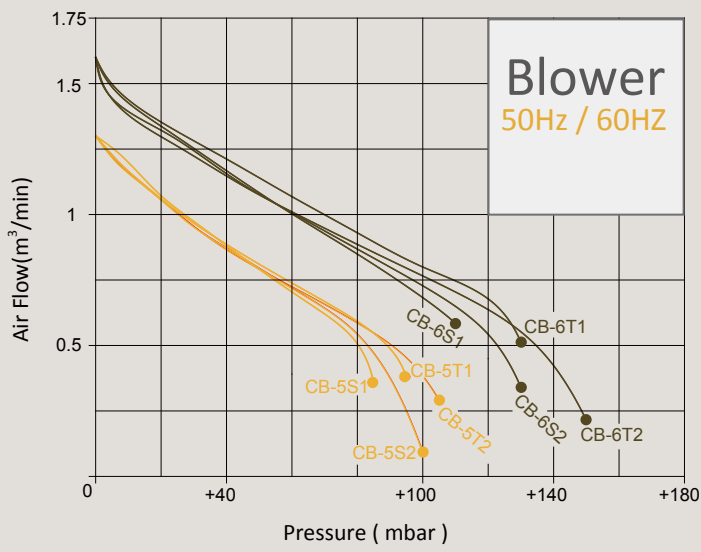


Technical Data

Max Blow - 96 m³/h / +85~+150 mbar

Max Vacuum - 96 m³/h / -80~-135 mbar

Performance Curve



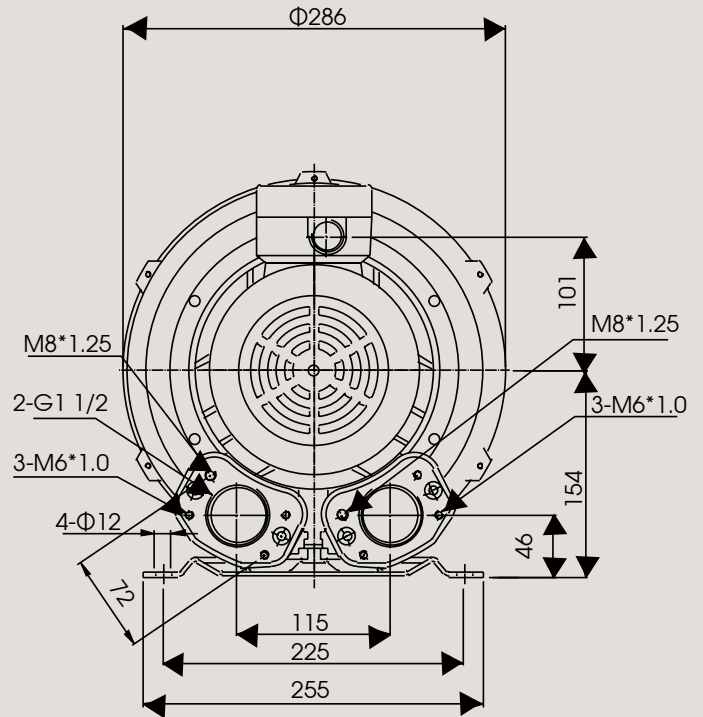
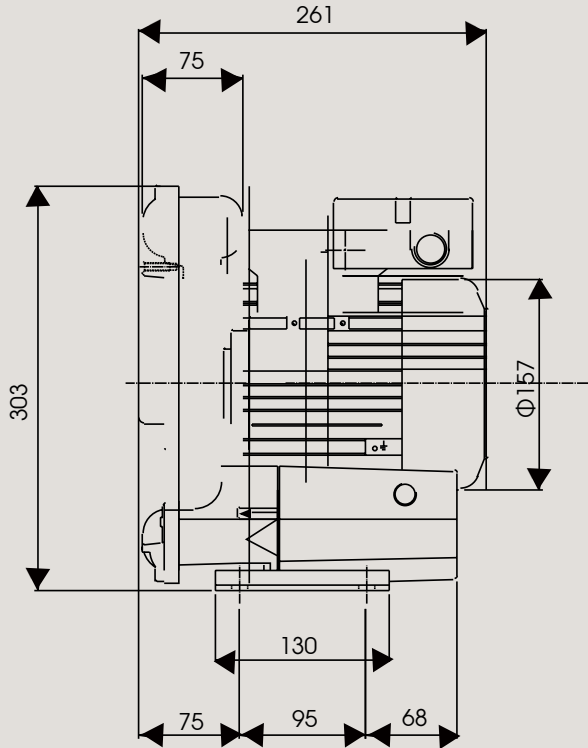
Specifications

CB series (50Hz)

Model	Phase	Maximum performance when used as Blower		Maximum performance when used as Vacuum		Rated output kW	Voltage V	Motor ratings		Noise Level dB(A)	Weight Kg
		m³/min	mbar	m³/min	mbar			Current when used as Blower	Current when used as Vacuum		
								Amps	Amps		
CB-5T1	3	1.3	+95	1.3	-80	0.38	200-240 / 345-416	1.72-2.41 / 0.94-1.35	1.72-2.42 / 0.97-1.37	69	13
CB-5T2			+105		-100			0.40	1.64-2.26 / 0.93-1.30		
CB-5S1	1	1.3	+85	1.3	-80	0.38	104-127 / 208-254	3.60-3.70 / 1.78-1.86	3.43-3.61 / 1.78-1.83	69	13.5
CB-5S2			+100		-115			0.40	4.21-5.25 / 2.11-2.61		

CB series (60Hz)

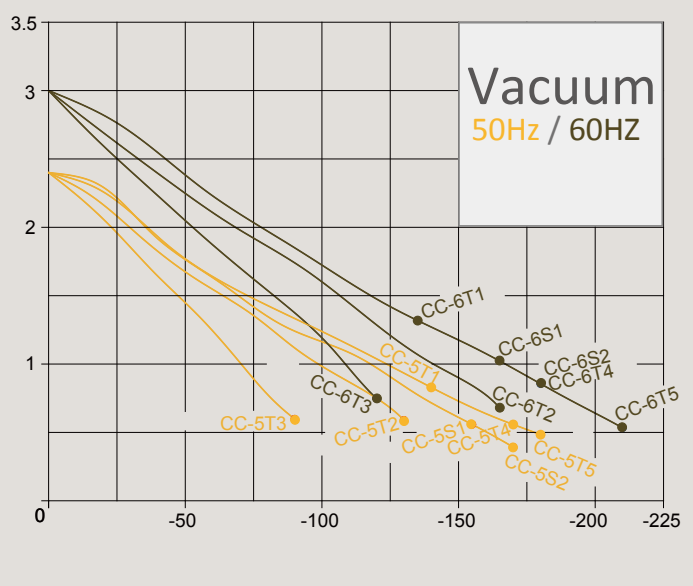
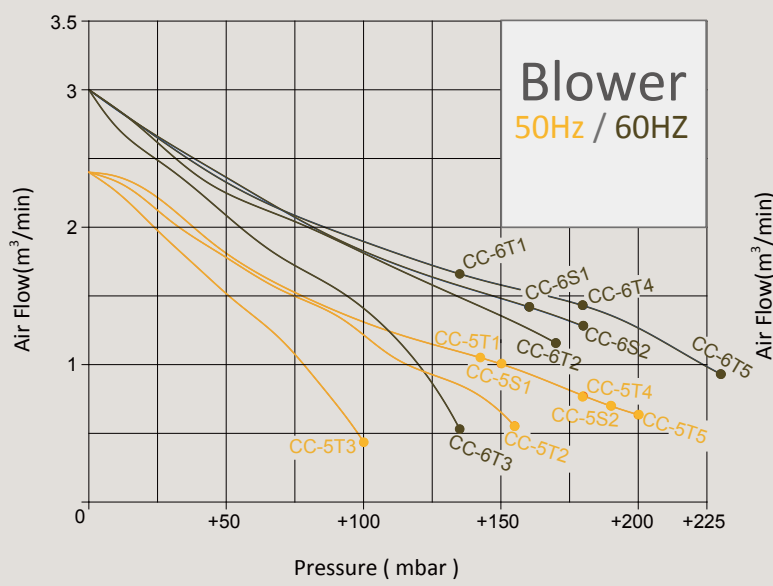
Model	Phase	Maximum performance when used as Blower		Maximum performance when used as Vacuum		Rated output kW	Voltage V	Motor ratings		Noise Level dB(A)	Weight Kg
		m³/min	mbar	m³/min	mbar			Current when used as Blower	Current when used as Vacuum		
								Amps	Amps		
CB-6T1	3	1.6	+130	1.6	-105	0.42	208-275 / 380-480	1.88-2.31 / 1.08-1.36	1.84-2.34 / 1.06-1.35	65	13
CB-6T2			+150		-135			0.50	1.91-2.28 / 1.10-1.31		
CB-6S1	1	1.6	+110	1.6	-100	0.42	104-127 / 208-254	5.33-4.52 / 2.65-2.27	4.96-4.27 / 2.50-2.16	65	13.5
CB-6S2			+130		-115			0.50	5.80-5.21 / 3.00-2.67		



Technical Data

Max Blow - 180 m³/h / +100~+230 mbar
 Max Vacuum - 180 m³/h / -90~-210 mbar

Performance Curve



Specifications

CC series (50Hz)

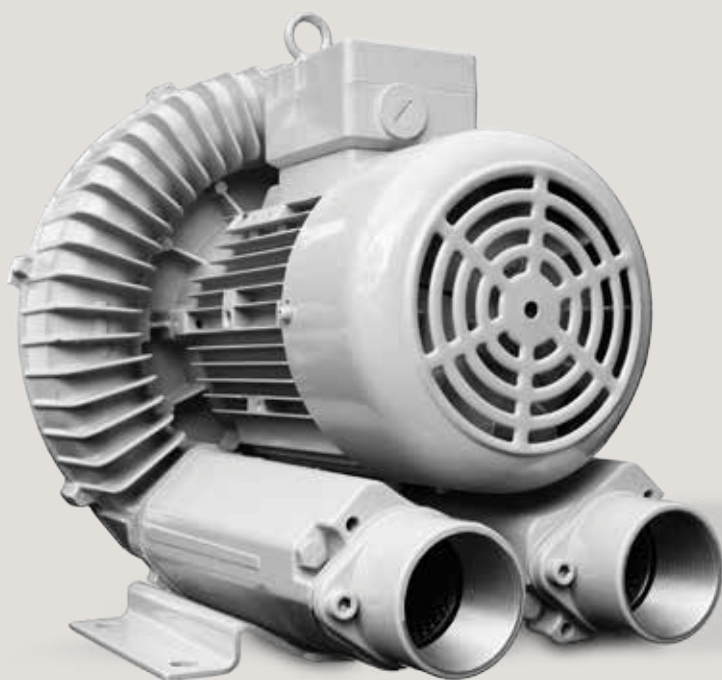
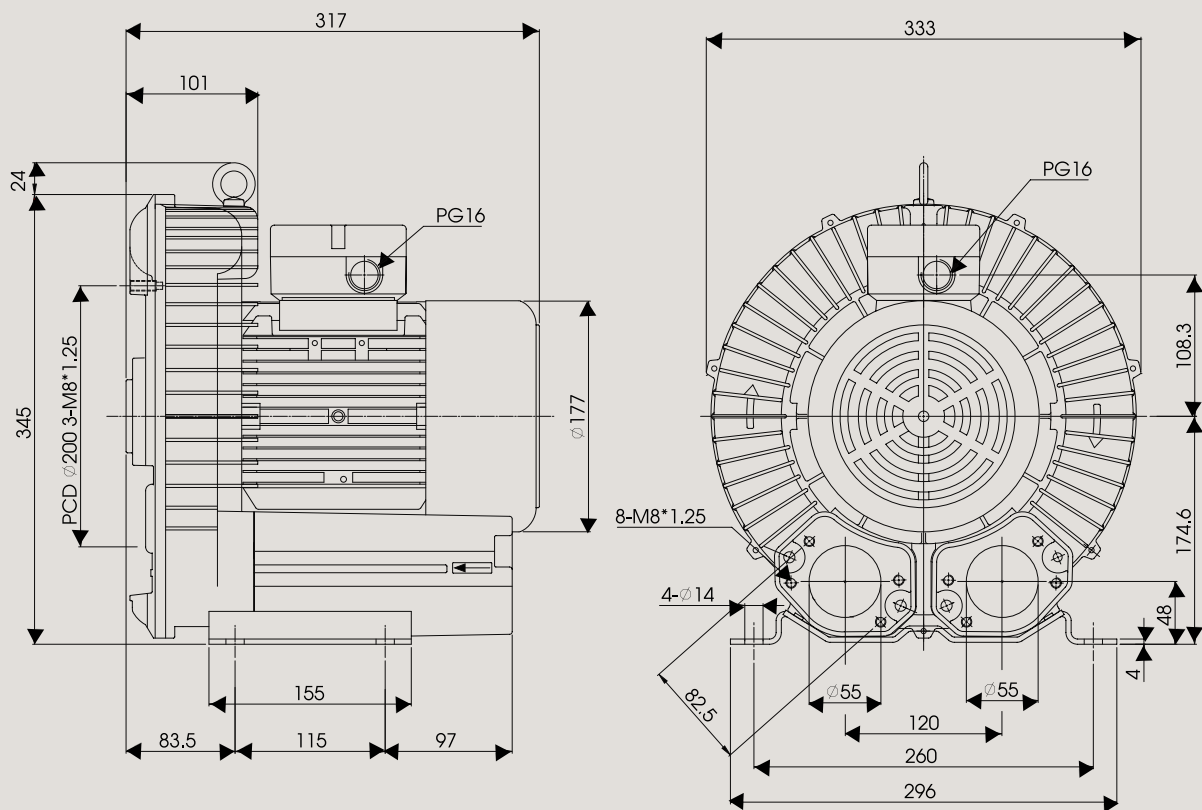
Model	Phase	Maximum performance when used as Blower		Maximum performance when used as Vacuum		Rated output kW	Voltage V	Motor ratings		Noise Level dB(A)	Weight Kg
		m³/min	mbar	m³/min	mbar			Current when used as Blower Amps	Current when used as Vacuum Amps		
CC-5T1	3	2.4	+140	-140	0.76	200-240 / 345-416	3.60-4.85 / 2.00-2.65		69	15.3	
CC-5T2			+155	-130	0.76		3.53-4.74 / 2.00-2.63				
CC-5T3			+100	-90	0.76		2.98-4.67 / 1.68-2.50				
CC-5T4			+180	-170	0.90		4.30-4.80 / 2.50-2.82				
CC-5T5			+200	-180	1.10		4.80-5.53 / 2.77-3.14				
CC-5S1	1	2.4	+150	-155	0.80	104-127 / 208-254	11.3-14.6 / 5.70-7.40		17	18.2	
CC-5S2			+190	-170	1.10		14.5-16.4 / 7.20-8.30				

CC series (60Hz)

Model	Phase	Maximum performance when used as Blower		Maximum performance when used as Vacuum		Rated output kW	Voltage V	Motor ratings		Noise Level dB(A)	Weight Kg
		m³/min	mbar	m³/min	mbar			Current when used as Blower Amps	Current when used as Vacuum Amps		
CC-6T1	3	3.0	+135	-135	0.93	208-275 / 380-480	3.48-4.16 / 1.95-2.34		72	15.3	
CC-6T2			+170	-160	0.93		4.40-4.58 / 2.42-2.63				
CC-6T3			+135	-120	0.93		3.48-4.16 / 1.95-2.34				
CC-6T4			+180	-180	1.15		4.87-4.60 / 2.63-2.74				
CC-6T5			+230	-210	1.50		6.00-5.50 / 3.30-3.25				
CC-6S1	1	3.0	+160	-165	0.90	104-127 / 208-254	15.1-12.2 / 7.60-6.20		17	18.2	
CC-6S2			+180	-180	1.30		16.4-13.3 / 8.10-6.70				

BLOWER - CD SERIES DIMENSIONS & CONSTRUCTIONS

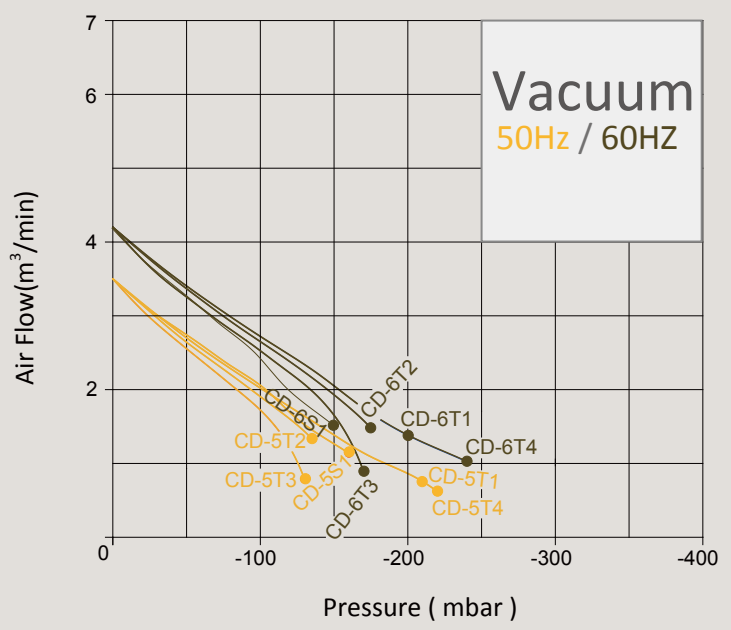
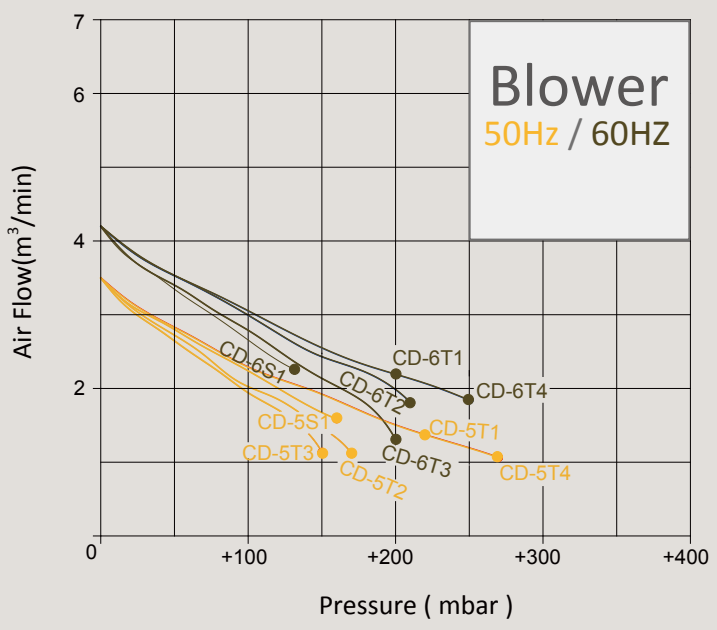
12



Technical Data

Max Blow - 252 m³/h / +130~+270 mbar
Max Vacuum - 252 m³/h / -130~-240 mbar

Performance Curve



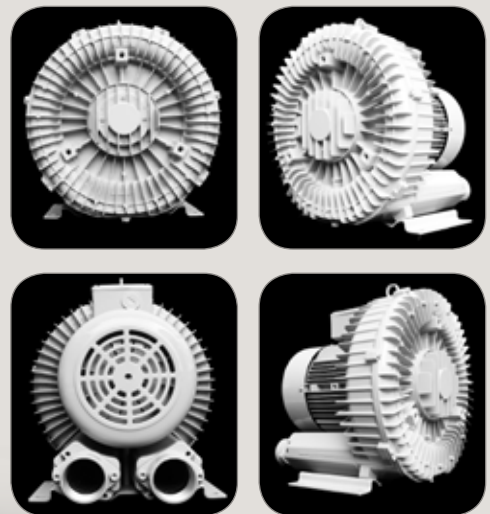
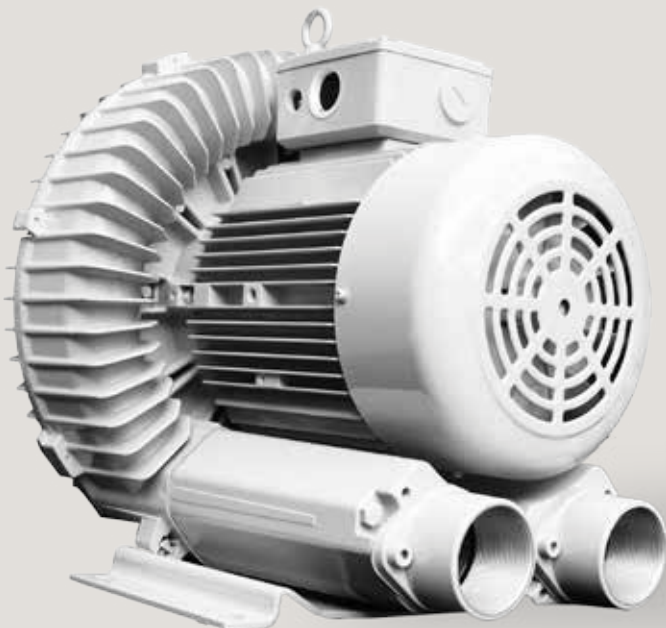
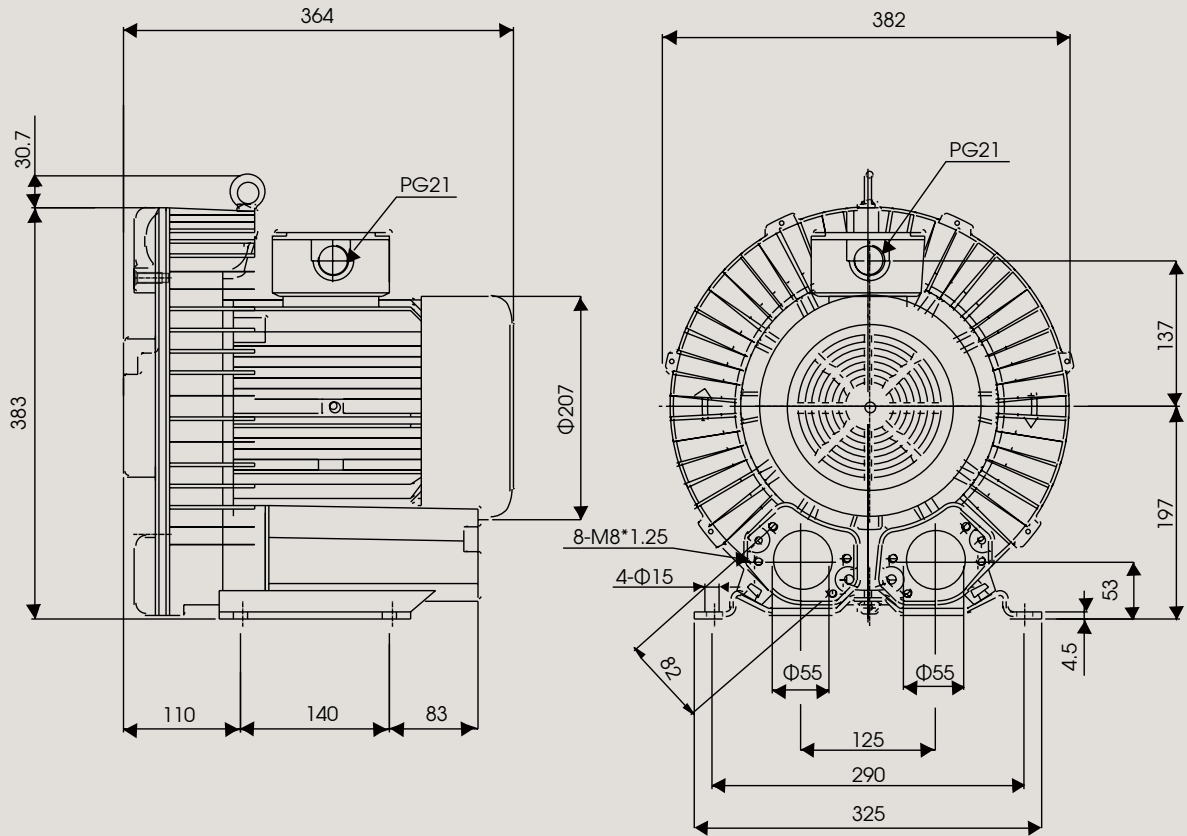
Specifications

CD series (50Hz)

Model	Phase	Maximum performance when used as Blower		Maximum performance when used as Vacuum		Rated output	Voltage	Motor ratings		Noise Level dB(A)	Weight Kg		
		m³/min	mbar	m³/min	mbar			kW	V			Current when used as Blower	Current when used as Vacuum
												Amp.	Amp.
CD-5T1	3	3.5	+220	-210	1.50	104-127 / 208-254	18.9-19.1 / 9.1-10.0	7.44-8.76 / 4.28-5.1	6.72-8.52 / 3.85-4.93	73	26		
CD-5T2			+170	-135	1.50			5.87-8.46 / 3.24-4.69	5.54-9.30 / 3.12-4.71				
CD-5T3			+150	-130	1.50			5.57-8.38 / 3.17-4.81	5.35-7.8 / 3.01-4.81				
CD-5T4			+270	-220	2.20			8.67-9.45 / 5.0-5.43	7.08-8.79 / 4.07-5.02				

CD series (60Hz)

Model	Phase	Maximum performance when used as Blower		Maximum performance when used as Vacuum		Rated output	Voltage	Motor ratings		Noise Level dB(A)	Weight Kg		
		m³/min	mbar	m³/min	mbar			kW	V			Current when used as Blower	Current when used as Vacuum
												Amp.	Amp.
CD-6T1	3	4.2	+200	-200	1.75	104-127 / 208-254	21.1-16.4 / 9.9-7.9	8.0-8.1 / 4.38-4.74	7.26-7.76 / 4.0-4.58	73	26		
CD-6T2			+210	-175	1.75			7.31-8.18 / 4.07-4.61	6.4-7.74 / 3.62-4.37				
CD-6T3			+200	-170	1.75			6.78-7.83 / 3.79-4.53	6.16-7.56 / 3.43-4.41				
CD-6T4			+250	-240	2.55			9.7-9.2 / 5.3-5.13	8.35-8.36 / 4.6-4.81				

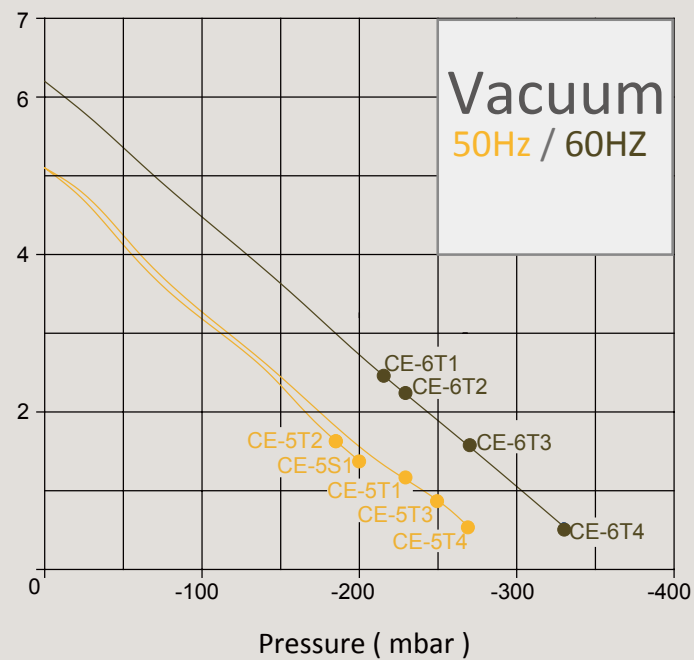
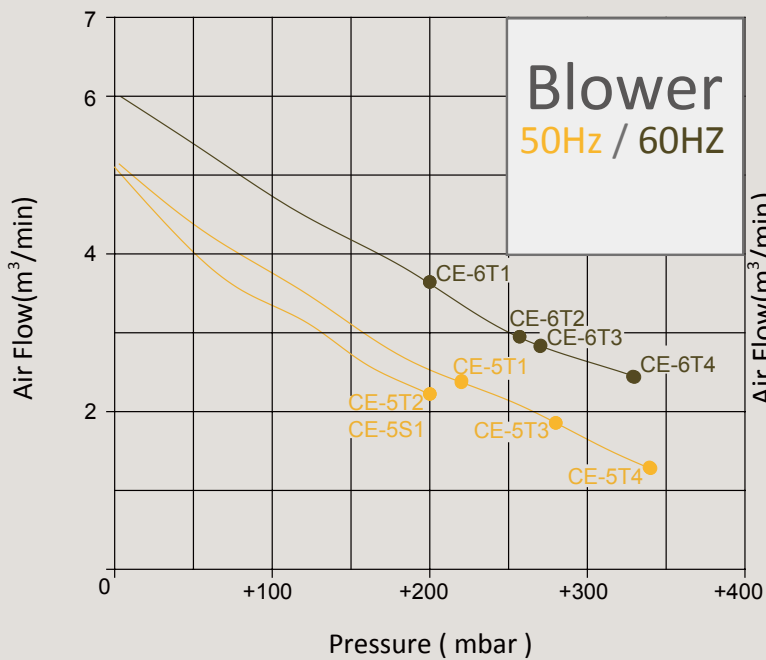


Technical Data

Max Blow - 372 m³/h / +200~+340 mbar

Max Vacuum - 372 m³/h / -180~-320 mbar

Performance Curve



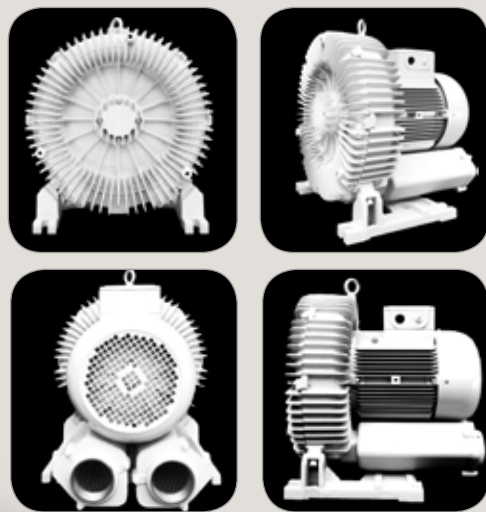
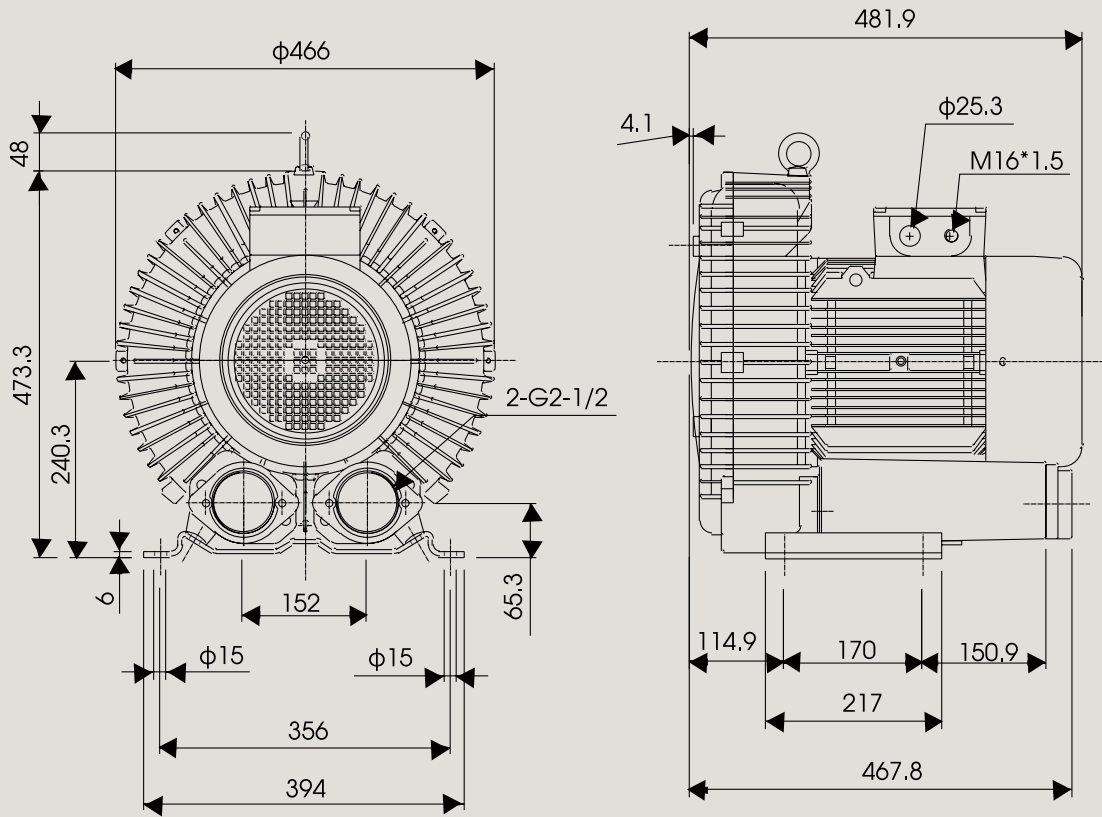
Specifications

CE series (50Hz)

Model	Phase	Maximum performance when used as Blower		Maximum performance when used as Vacuum		Rated output kW	Voltage V	Motor ratings		Noise Level dB(A)	Weight Kg
		m ³ /min	mbar	m ³ /min	mbar			Current when used as Blower	Current when used as Vacuum		
								Amps	Amps		
CE-5T1	3	5.1	+220	-230	2.20	200-240 / 345-416	10.8-10.9 / 6.0-6.1	11.6-9.9 / 5.6-5.8	76	36	
CE-5T2			+200	5.1	-180		2.20	9.0-9.9 / 5.3-5.8			8.0-9.4 / 4.5-5.3
CE-5T3			+280	-250	3.00		13.1-13.6 / 7.4-7.7	11.1-12.4 / 6.3-7.0			
CE-5T4			+340	-270	4.00		14.7-14.8 / 8.5-8.4	11.5-12.5 / 6.7-7.2			
CE-5S1	1	5.1	+200	5.1	-200	2.20	230	14.9	14.7		42

CE series (60Hz)

Model	Phase	Maximum performance when used as Blower		Maximum performance when used as Vacuum		Rated output kW	Voltage V	Motor ratings		Noise Level dB(A)	Weight Kg
		m ³ /min	mbar	m ³ /min	mbar			Current when used as Blower	Current when used as Vacuum		
								Amps	Amps		
CE-6T1	3	6.2	+200	-220	2.55	208-275 / 380-480	11.3-10.6 / 6.4-5.9	11.2-10.1 / 6.0-5.7	78	36	
CE-6T2			+255	6.2	-230		2.55	12.2-10.9 / 6.6-6.2			10.2-9.8 / 5.6-5.5
CE-6T3			+270	-270	3.45		14.9-13.2 / 8.0-7.6	13.2-12.3 / 7.1-7.0			
CE-6T4			+330	-320	4.60		17.2-14.7 / 9.5-8.5	15.3-13.2 / 8.2-7.7			

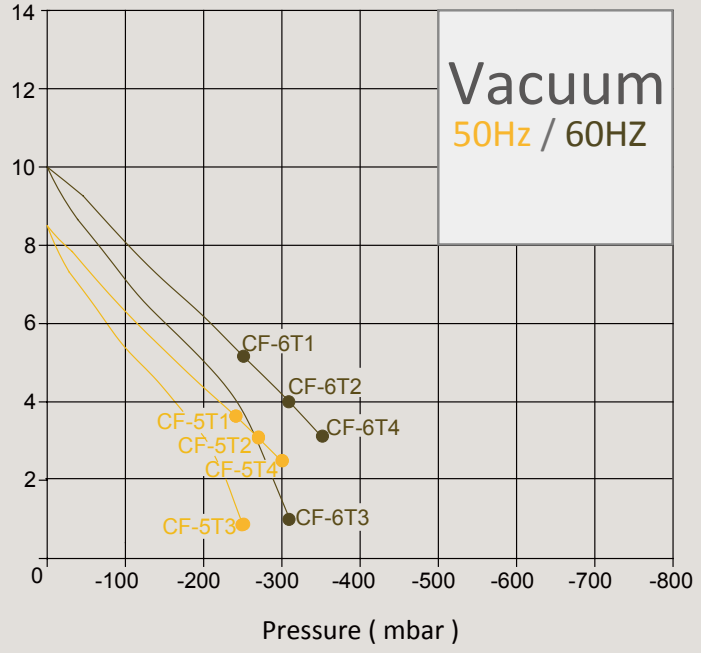
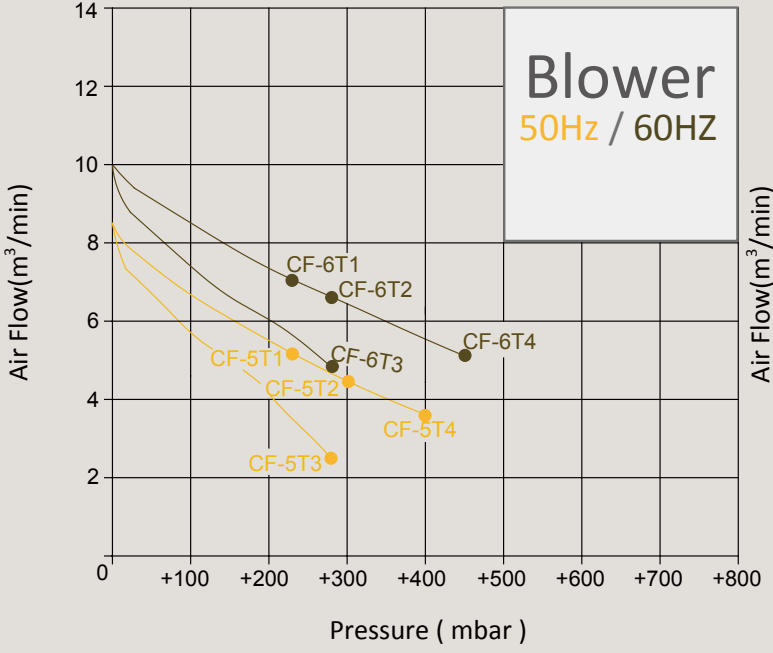


Technical Data

Max Blow - 600 m³/h / +230~+450 mbar

Max Vacuum - 600 m³/h / -240~-350 mbar

Performance Curve



Specifications

CF series (50Hz)

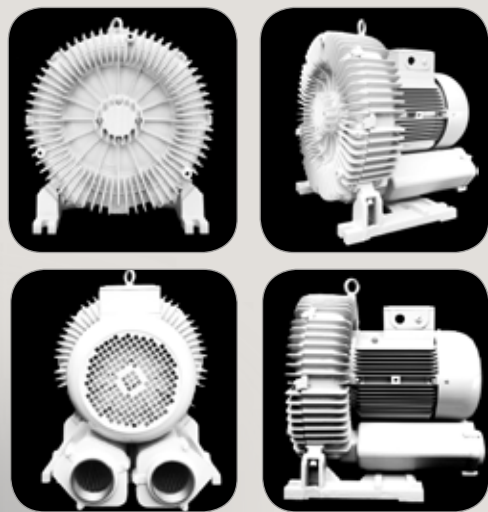
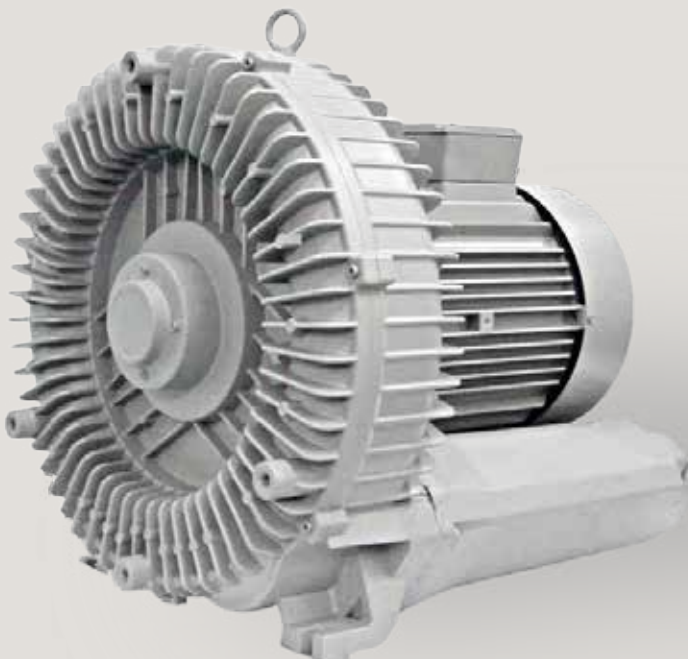
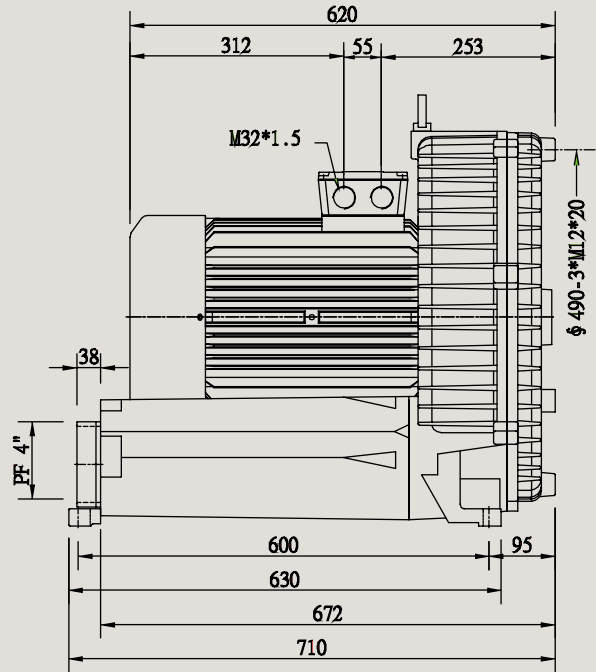
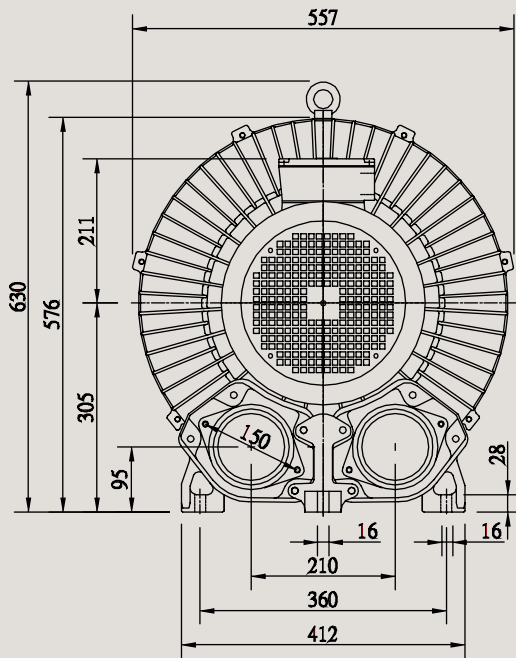
Model	Phase	Maximum performance when used as Blower		Maximum performance when used as Vacuum		Rated output	Voltage	Motor ratings		Noise Level	Weight
		m³/min	mbar	m³/min	mbar			Current when used as Blower	Current when used as Vacuum		
						kW	V	Amps	Amps	dB(A)	Kg
CF-5T1	3	8.5	+230	-240	4.0	200-240 / 345-416	200-240	17.3-16.5 / 10-9.3	17.1-16.3 / 10-9.2	73	117
CF-5T2			+300	-270	5.5			21.8-21.7 / 12.6-12.3	18.8-19.8 / 10.8-11		
CF-5T3			+280	-250	5.5			19.7-20.5 / 11.4-11.6	15.6-17.9 / 8.9-10.1		
CF-5T4			+400	-300	7.5			28.1-30.9 / 16-17.4	24-30.4 / 13.7-16.6		

CF series (60Hz)

Model	Phase	Maximum performance when used as Blower		Maximum performance when used as Vacuum		Rated output	Voltage	Motor ratings		Noise Level	Weight
		m³/min	mbar	m³/min	mbar			Current when used as Blower	Current when used as Vacuum		
						kW	V	Amps	Amps	dB(A)	Kg
CF-6T1	3	10	+230	-250	4.6	208-275 / 380-480	208-275	22.8-17.8 / 12.4-10	22.2-17.6 / 12.5-10.1	73	117
CF-6T2			+280	-310	6.3			26.1-21.8 / 14.1-12.4	25.4-21.7 / 13.7-12.3		
CF-6T3			+280	-310	6.3			25.1-21.1 / 13.7-12.2	22.6-19.7 / 12.6-11.5		
CF-6T4			+450	-350	8.6			36.4-32.6 / 20.5-18.8	32.5-30.8 / 17.0-17.5		

BLOWER - CG SERIES DIMENSIONS & CONSTRUCTIONS

18

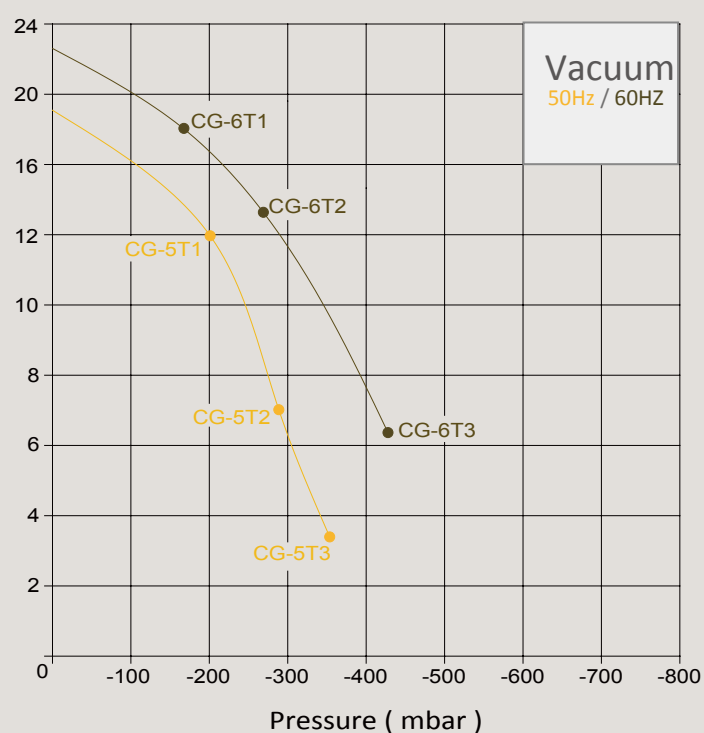
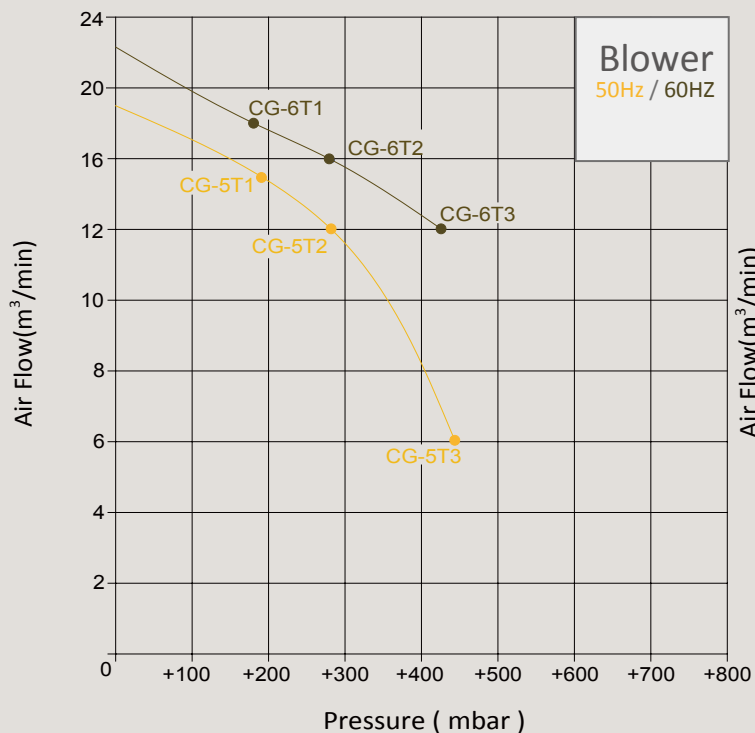


Technical Data

Max Blow - 1344 m³/h / +170~+440 mbar

Max Vacuum - 1344 m³/h / -180~-365 mbar

Performance Curve



Specifications

CG series (50Hz)

Model	Phase	Maximum performance when used as Blower		Maximum performance when used as Vacuum		Rated output kW	Voltage V	Motor ratings		Noise Level dB(A)	Weight Kg
		m³/min	mbar	m³/min	mbar			Current when used as Blower Amps	Current when used as Vacuum Amps		
CG-5T1			+190	-200	9.0		36.0△/20.8Y	36.0△/20.8Y		100	
CG-5T2	3	18.9	+270	18.9	13	200-240△ /345-415Y	46.8△/27.0Y	46.8△/27.0Y	76	112	
CG-5T3			+440	-350	20		66.7△/38.6Y	66.7△/38.6Y		159	

CG series (60Hz)

Model	Phase	Maximum performance when used as Blower		Maximum performance when used as Vacuum		Rated output kW	Voltage V	Motor ratings		Noise Level dB(A)	Weight Kg
		m³/min	mbar	m³/min	mbar			Current when used as Blower Amps	Current when used as Vacuum Amps		
CG-6T1			+170	-180	11		37.0△/21.4Y	37.0△/21.4Y		100	
CG-6T2	3	22.4	+270	22.4	15	220-275△ /380-480Y	51.5△/29.8Y	51.5△/29.8Y	81	112	
CG-6T3			+420	-365	22		76.0△/44.0Y	76.0△/44.0Y		159	

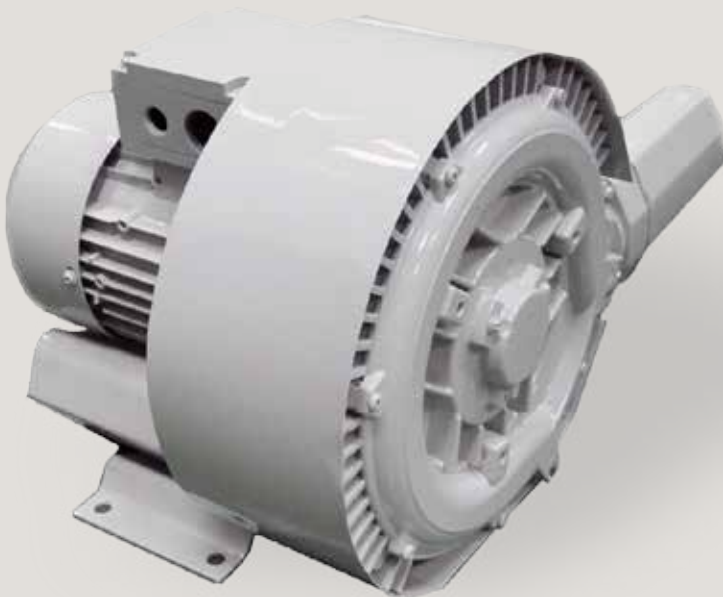
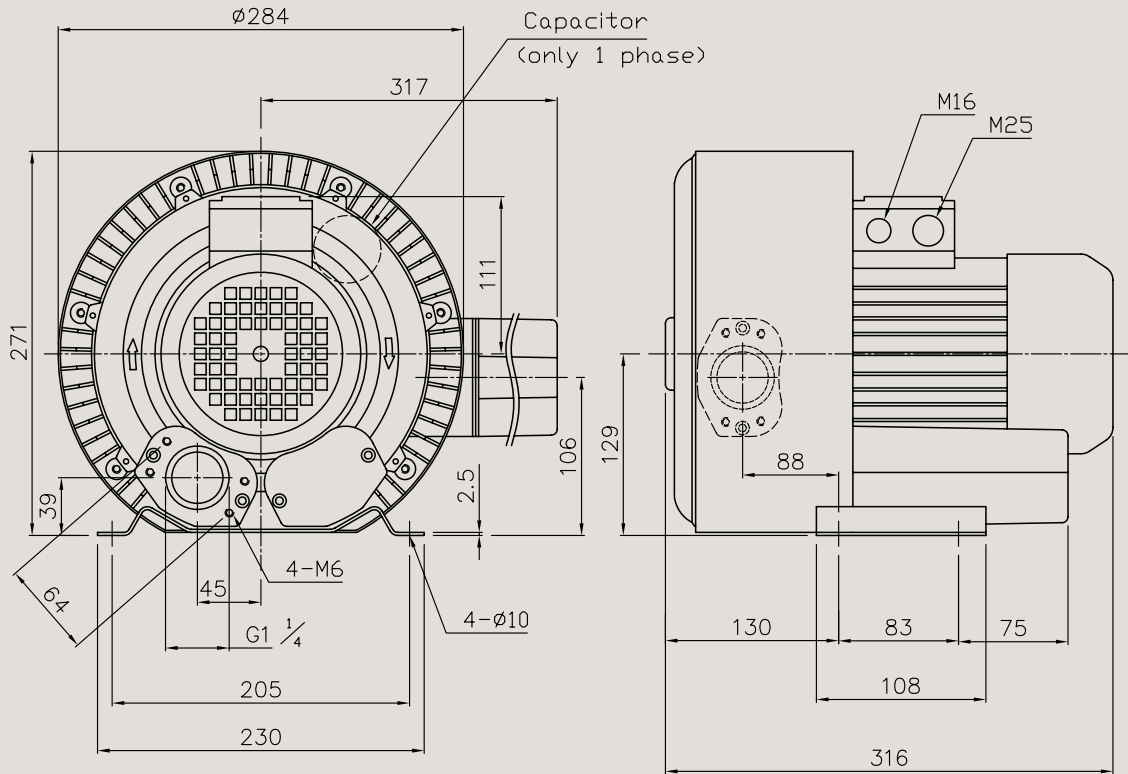
Double-Layer Side Channel Blower

are designed to comply with the safety requirements of IEC/UL/CSA and have attained their Type Approval. They also provide a wide field of application facilities wherever the use of air as energy supply leads to optimum results.



DOUBLE-LAYER BLOWER - CB-1 SERIES DIMENSIONS & CONSTRUCTIONS

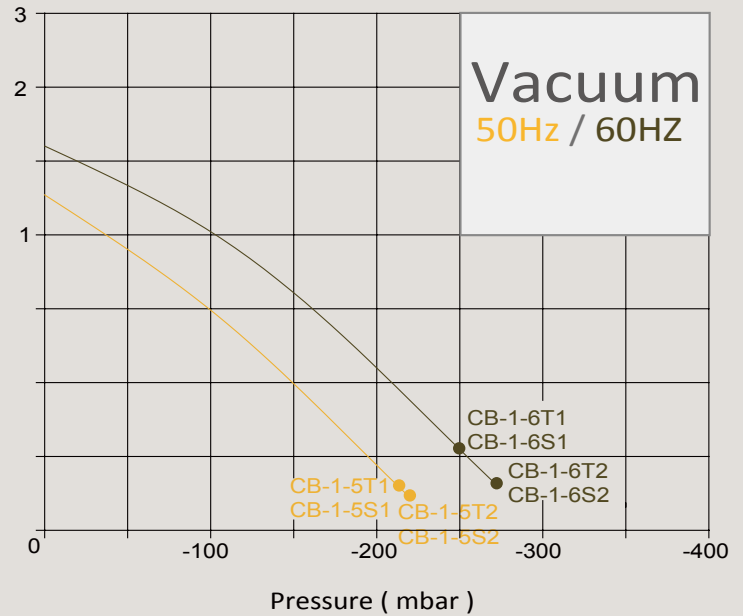
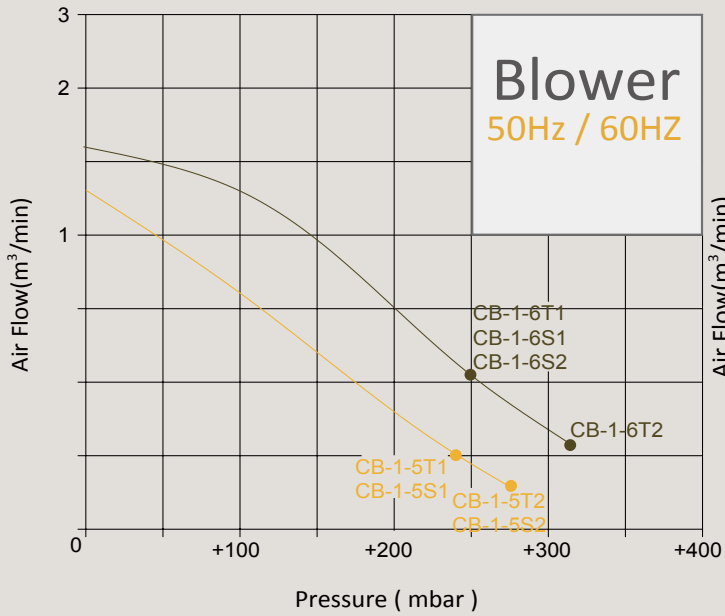
22



Technical Data

Max Blow - $96 \text{ m}^3/\text{h}$ / +240~+310 mbar
Max Vacuum - $96 \text{ m}^3/\text{h}$ / -210~-275 mbar

Performance Curve



Specifications

CB-1 series (50Hz)

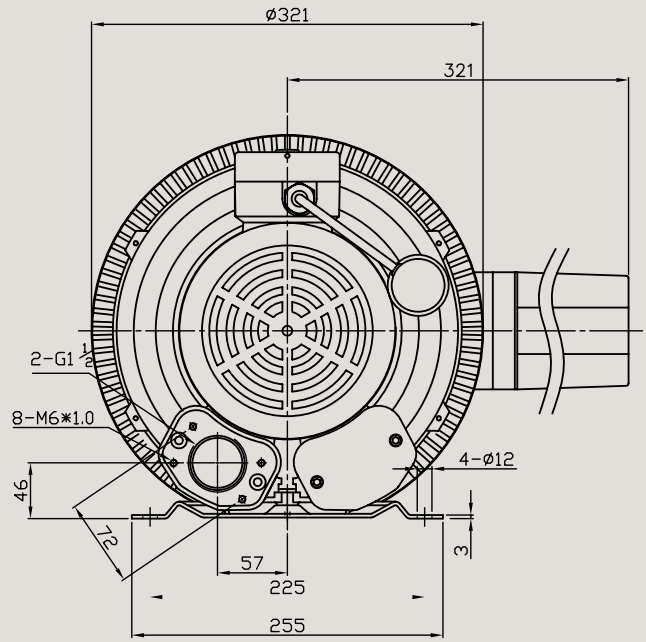
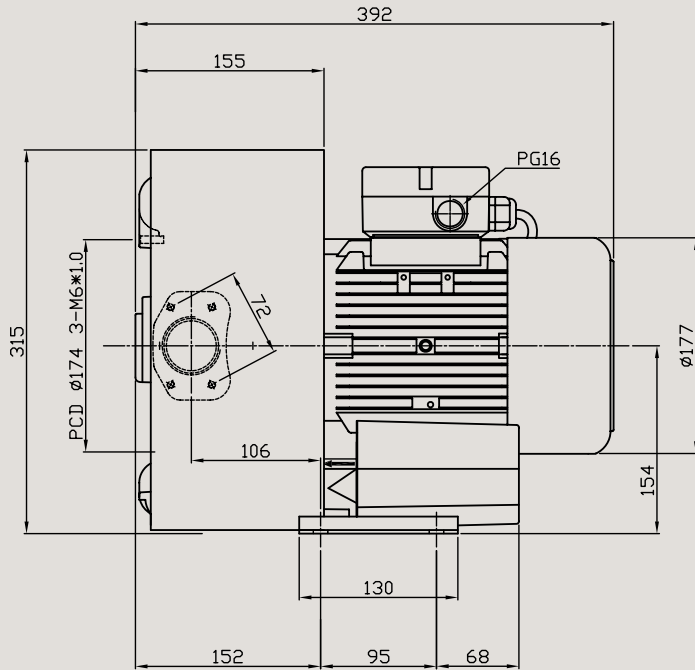
Model	Phase	Maximum performance when used as Blower		Maximum performance when used as Vacuum		Rated output kW	Voltage V	Motor ratings		Noise Level dB(A)	Weight Kg
		m³/min	mbar	m³/min	mbar			Current when used as Blower Amps	Current when used as Vacuum Amps		
CB-1-5T1	3	1.3	+240	1.3	-210	0.70	200-240△ / 345-416Y	3.26-4.3 / 1.87-2.46	3.04-4.23 / 1.75-2.42	67	15.7
CB-1-5T2			+275		-220						
CB-1-5S1	1	1.3	+240	1.3	-210	0.70	104-127 / 208-254	11.2-14.1 / 5.6-7.12	10-13.9 / 5-7	69	16
CB-1-5S2			+275		-225						

CB-1 series (60Hz)

Model	Phase	Maximum performance when used as Blower		Maximum performance when used as Vacuum		Rated output kW	Voltage V	Motor ratings		Noise Level dB(A)	Weight Kg
		m³/min	mbar	m³/min	mbar			Current when used as Blower Amps	Current when used as Vacuum Amps		
CB-1-6T1	3	1.6	+250	1.6	-250	0.83	208-275△ / 380-480Y	3.26-4.3 / 1.87-2.46	3.4-3.95 / 1.94-2.3	69	15.7
CB-1-6T2			+310		-275						
CB-1-6S1	1	1.6	+250	1.6	-250	0.83	104-127 / 208-254	11.2-14.1 / 5.6-7.12	12.8-10.83 / 6.36-5.47	69	16
CB-1-6S2			+250		-275				12-14.2 / 6-7.2		

DOUBLE-LAYER BLOWER - CC-1 SERIES DIMENSIONS & CONSTRUCTIONS

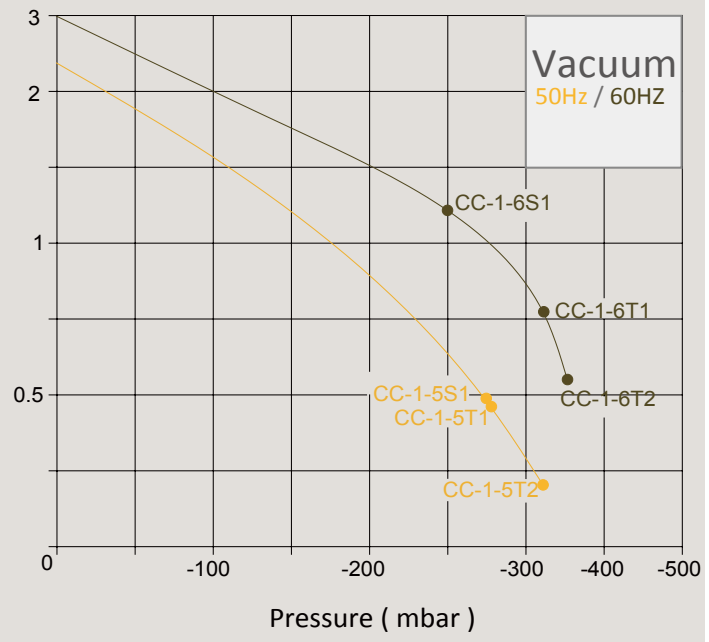
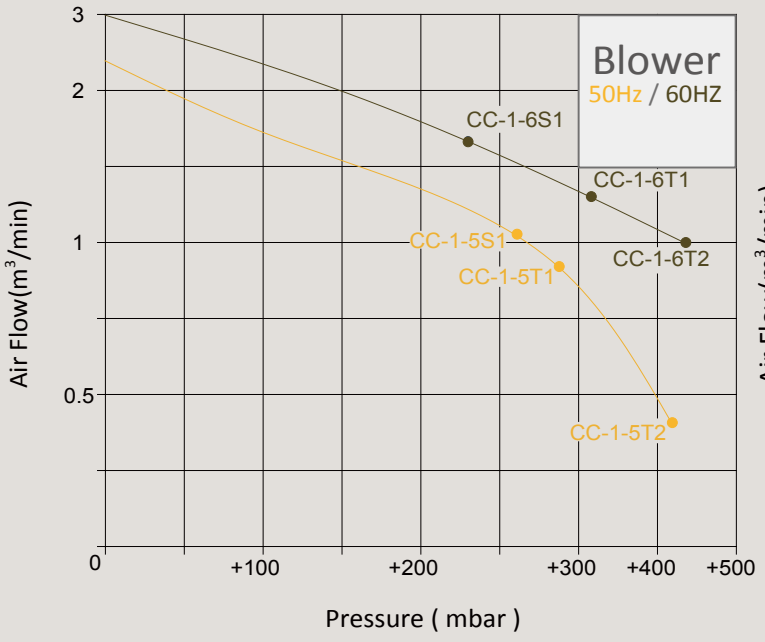
24



Technical Data

Max Blow - $180 \text{ m}^3/\text{h}$ / +280~420 mbar
Max Vacuum - $180 \text{ m}^3/\text{h}$ / -250~350 mbar

Performance Curve



Specifications

CC-1 series (50Hz)

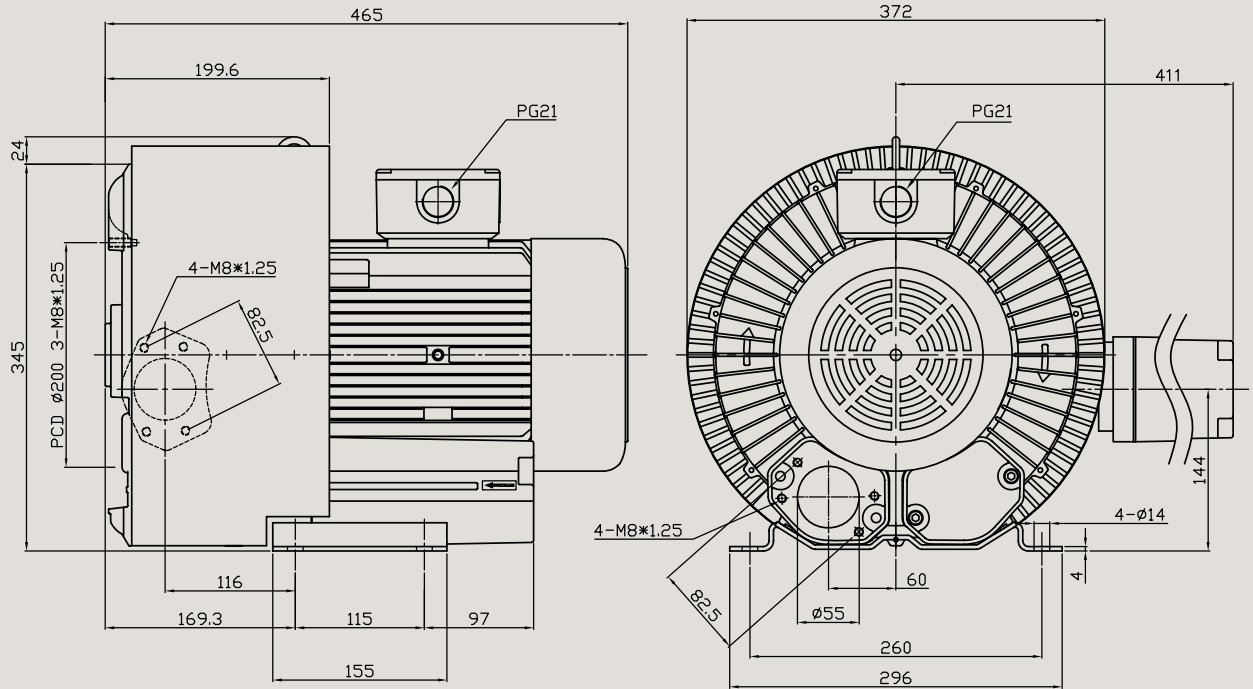
Model	Phase	Maximum performance when used as Blower		Maximum performance when used as Vacuum		Rated output kW	Voltage V	Motor ratings		Noise Level dB(A)	Weight Kg
		m³/min	mbar	m³/min	mbar			Current when used as Blower	Current when used as Vacuum		
								Amps	Amps		
CC-1-5T1	3	2.4	+280	2.4	-280	1.60	200-240△ / 345-416Y	6.53-7.94△ / 3.8-4.58Y	6.3-7.8△ / 3.6-4.5Y	73	28
CC-1-5T2		2.4	+410	2.4	-320			2.20	8.8-12.8△ / 5-7.35Y		
CC-1-5S1	1	2.4	+260	2.4	-280	1.50	104-127 / 208-254	19.4-23.3 / 9.8-11.7	19.4-23.3 / 9.8-11.7		25

CC-1 series (60Hz)

Model	Phase	Maximum performance when used as Blower		Maximum performance when used as Vacuum		Rated output kW	Voltage V	Motor ratings		Noise Level dB(A)	Weight Kg
		m³/min	mbar	m³/min	mbar			Current when used as Blower	Current when used as Vacuum		
								Amps	Amps		
CC-1-6T1	3	3.0	+310	3.0	-320	2.05	208-275△ / 380-480Y	8.36-7.8△ / 4.6-4.53Y	8-7.6△ / 4.4-4.5Y	76	28
CC-1-6T2		3.0	+420	3.0	-350			2.55	10.2-11.5△ / 5.6-6.7Y		
CC-1-6S1	1	3.0	+230	3.0	-250	1.75	104-127 / 208-254	21.9-17.8 / 11.1-8.94	22.8-17.7 / 11.1-9		25

DOUBLE-LAYER BLOWER - CD-1 SERIES DIMENSIONS & CONSTRUCTIONS

26

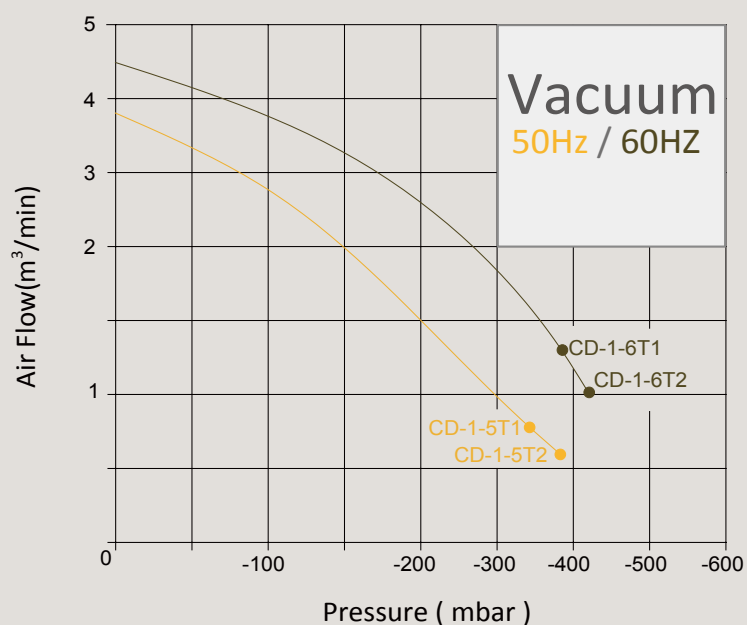
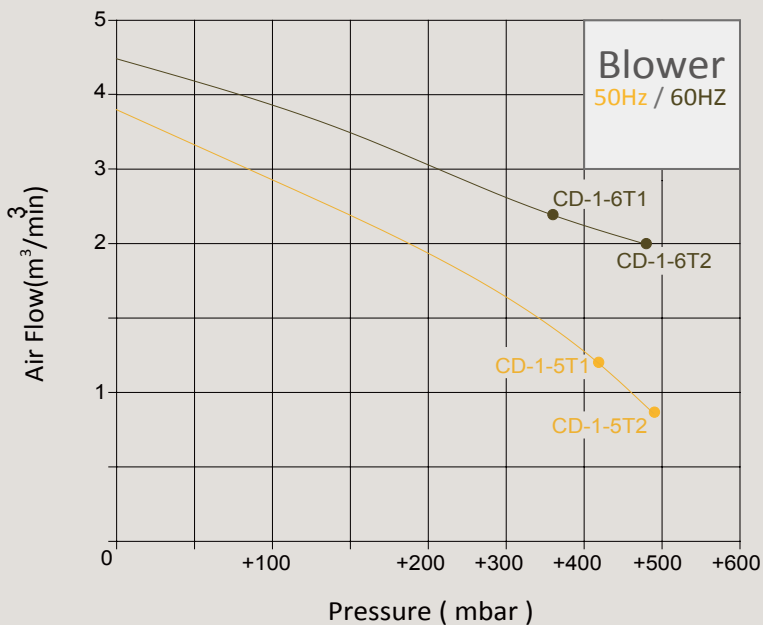


Technical Data

Max Blow - 270 m³/h / +360~490 mbar

Max Vacuum - 270 m³/h / -340~-410 mbar

Performance Curve



Specifications

CD-1 series (50Hz)

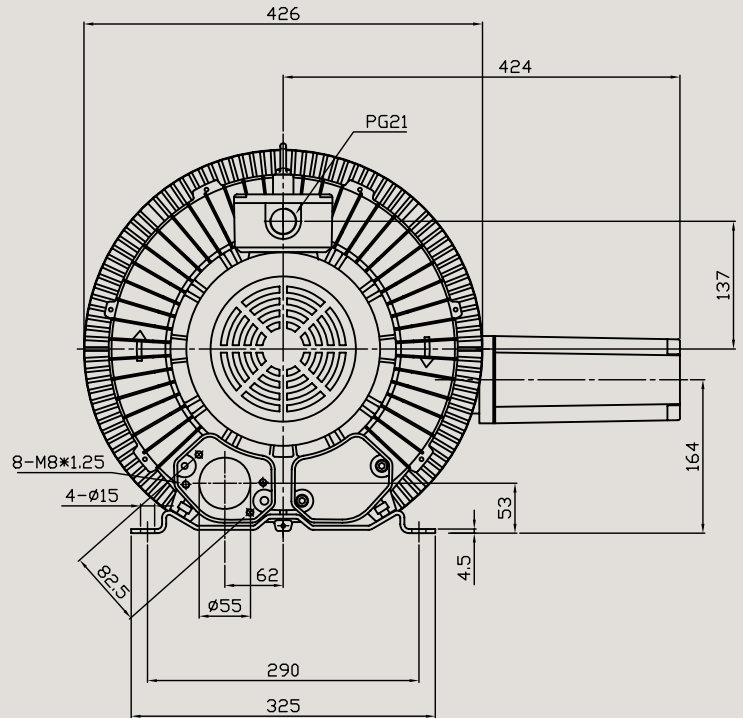
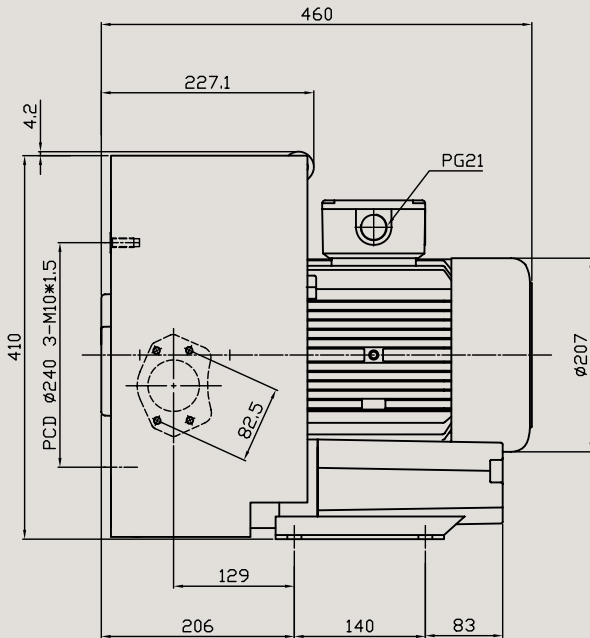
Model	Phase	Maximum performance when used as Blower		Maximum performance when used as Vacuum		Rated output kW	Voltage V	Motor ratings		Noise Level dB(A)	Weight Kg
		Current when used as Blower		Current when used as Vacuum							
		m ³ /min	mbar	m ³ /min	mbar			Amps	Amps		
CD-1-5T1	3	3.8	+410	3.8	-340	3.0	200-240 / 345-416	11.8-12.2 / 6.9-7.1	10.6-11.7 / 6.08-6.3	76	44
CD-1-5T2		4.90	-380	4.0	14.1-15.7 / 8.2-9.1	11.5-14.1 / 6.7-8.2		48			

CD-1 series (60Hz)

Model	Phase	Maximum performance when used as Blower		Maximum performance when used as Vacuum		Rated output kW	Voltage V	Motor ratings		Noise Level dB(A)	Weight Kg
		Current when used as Blower		Current when used as Vacuum							
		m ³ /min	mbar	m ³ /min	mbar			Amps	Amps		
CD-1-6T1	3	4.5	+360	4.5	-380	3.45	208-275 / 380-480	11.1-12.9 / 6.6-7.2	11.8-12.9 / 7-7.4	77	44
CD-1-6T2		4.80	-410	4.6	14.8-16.2 / 8.7-8.8	13.4-13.6 / 7.6-7.9		48			

DOUBLE-LAYER BLOWER - CE-1 SERIES DIMENSIONS & CONSTRUCTIONS

28

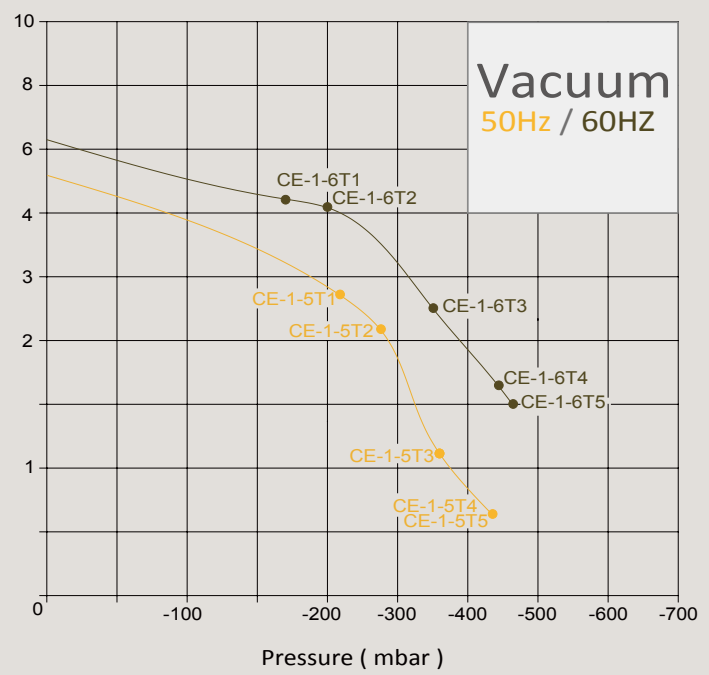
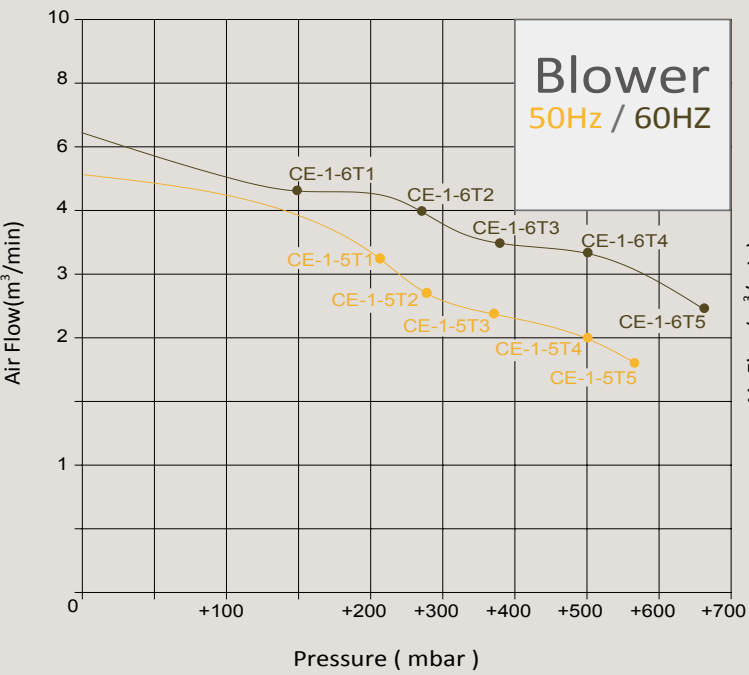


Technical Data

Max Blow - 378 m³/h / +150~660 mbar

Max Vacuum - 378 m³/h / -170~460 mbar

Performance Curve



Specifications

CE-1 series (50Hz)

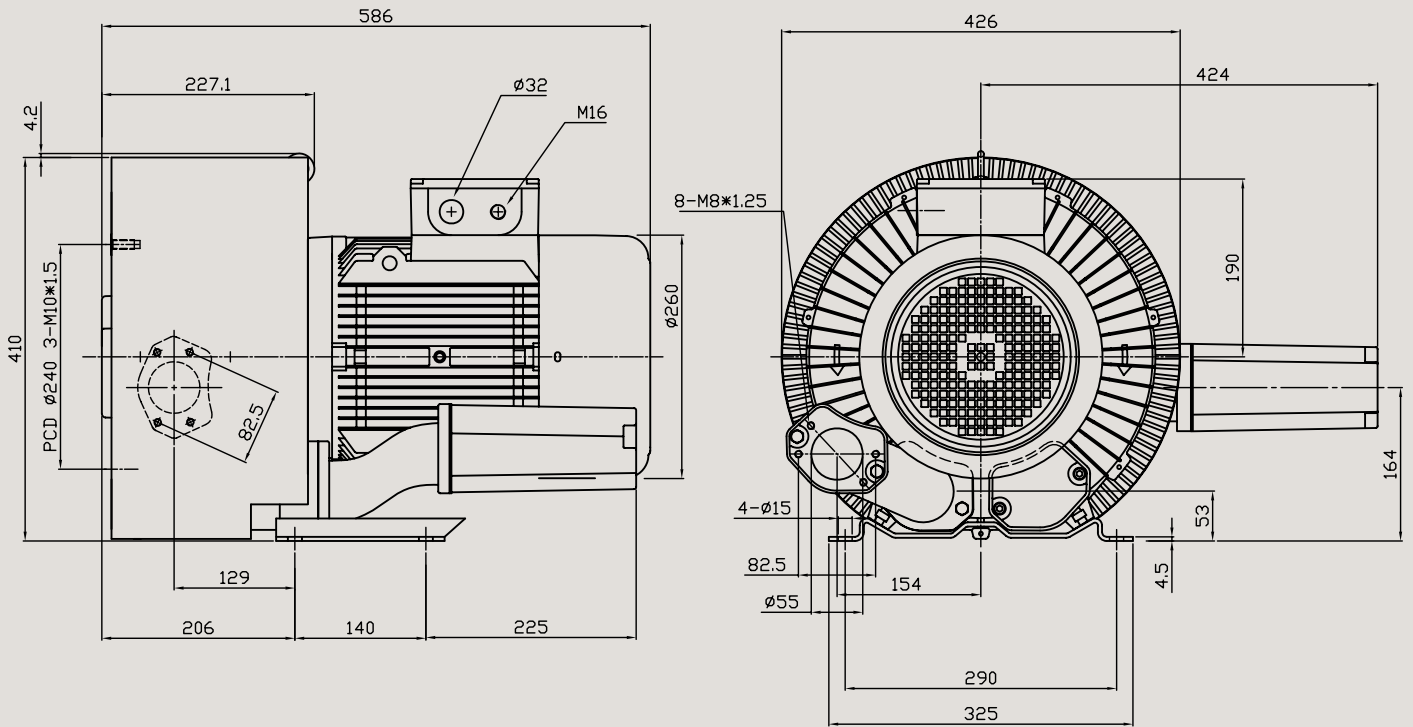
Model	Phase	Maximum performance when used as Blower		Maximum performance when used as Vacuum		Rated output kW	Voltage V	Motor ratings		Noise Level dB(A)	Weight Kg
								Current when used as Blower	Current when used as Vacuum		
		m³/min	mbar	m³/min	mbar			Amps	Amps		
CE-1-5T1		+210		-220	2.2	200-240△ / 345-416V	10.8-10 / 6.1-5.8	10.3-9.9 / 6.1-5.7		51	
CE-1-5T2		+280		-280	3.0		12.6-12.1 / 7.4-7.1	12.1-11.7 / 7.1-6.8		52	
CE-1-5T3	3	5.3	+380	5.3	-360		4.0	16.2-16.7 / 9.4-9.7	15.7-16.4 / 9-9.4	77	57
CE-1-5T4		+500		-440	5.5		20.5-20.7 / 11.9-11.7	17.8-18.7 / 10.4-10.7		77	
CE-1-5T5		+570		-440	7.5		23.5-27.9 / 13.6-15.7	18.7-25.1 / 10.7-14.1		80	

CE-1 series (60Hz)

Model	Phase	Maximum performance when used as Blower		Maximum performance when used as Vacuum		Rated output kW	Voltage V	Motor ratings		Noise Level dB(A)	Weight Kg
								Current when used as Blower	Current when used as Vacuum		
		m³/min	mbar	m³/min	mbar			Amps	Amps		
CE-1-6T1		+150		-170	2.55	208-275△ / 380-480V	11.2-9.4 / 6.1-5.4	11.1-9.2 / 6.1-5.4		51	
CE-1-6T2		+280		-200	3.45		12.6-12.1 / 7.4-7.1	11.8-10.4 / 7-6		52	
CE-1-6T3	3	6.3	+380	6.3	-350		4.6	16.2-16.7 / 9.4-9.7	17.8-15.9 / 9.9-9.2	81	57
CE-1-6T4		+500		-440	5.5		25.4-21 / 13.8-12.1	21.2-18.5 / 11.6-10.7		77	
CE-1-6T5		+660		-460	8.6		31.3-28.7 / 16.9-16.3	21.4-23.5 / 11.8-13.4		80	

DOUBLE-LAYER BLOWER - CF-1 SERIES DIMENSIONS & CONSTRUCTIONS

30

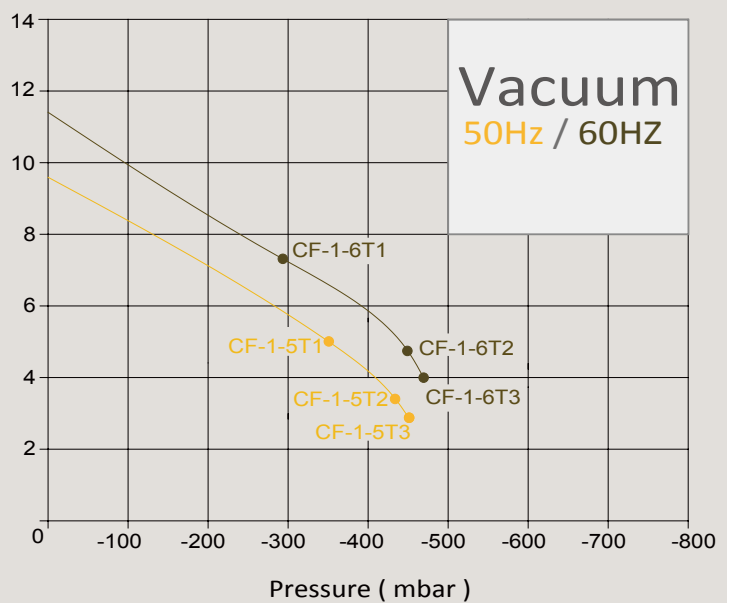
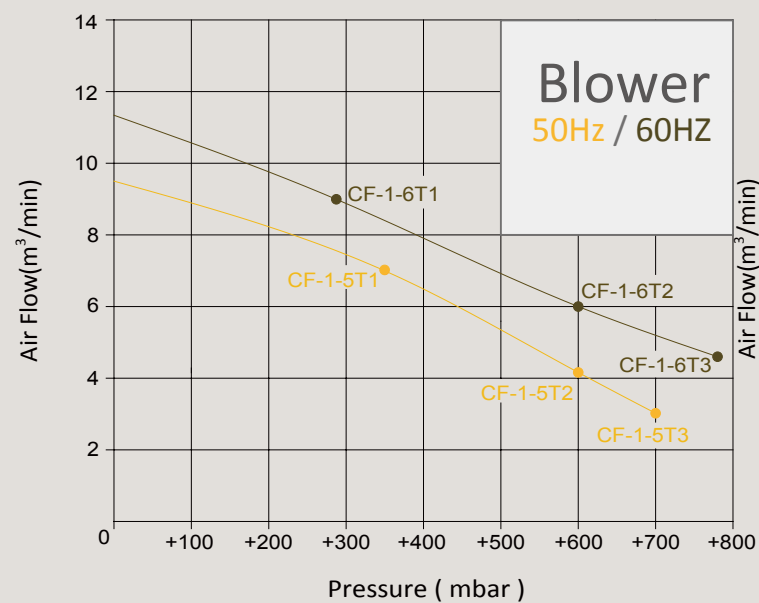


Technical Data

Max Blow - 678 m³/h / +290~780 mbar

Max Vacuum - 678 m³/h / -290~470 mbar

Performance Curve



Specifications

CF-1 series (50Hz)

Model	Phase	Maximum performance when used as Blower		Maximum performance when used as Vacuum		Rated output kW	Voltage V	Motor ratings		Noise Level dB(A)	Weight Kg
		m³/min	mbar	m³/min	mbar			Current when used as Blower Amps	Current when used as Vacuum Amps		
CF-1-5T1			+350	-350		7.5		31.5△/18.2Y	31.5△/18.2Y		112
CF-1-5T2	3	9.5	+600	9.5	-430	13	200-240△ /345-415Y	46.8△/27.0Y	46.8△/27.0Y	76	142
CF-1-5T3			+700	-450		20		66.7△/38.6Y	66.7△/38.6Y		160

CF-1 series (60Hz)

Model	Phase	Maximum performance when used as Blower		Maximum performance when used as Vacuum		Rated output kW	Voltage V	Motor ratings		Noise Level dB(A)	Weight Kg
		m³/min	mbar	m³/min	mbar			Current when used as Blower Amps	Current when used as Vacuum Amps		
CF-1-6T1			+290	-290		8.6		37.1△/21.3Y	37.1△/21.3Y		112
CF-1-6T2	3	11.3	+600	11.3	-450	15	220-275△ /380-480Y	52.0△/30.0Y	52.0△/30.0Y	81	142
CF-1-6T3			+780	-470		22		76.0△/44.0Y	76.0△/44.0Y		160



KNB CORPORATION

No. 139-18, Chung-Ho Road, Keelung, 20347, Taiwan.

T +886-2-24378720 F +886-2-24373482

www.knb.com.tw sales@knb.com.tw